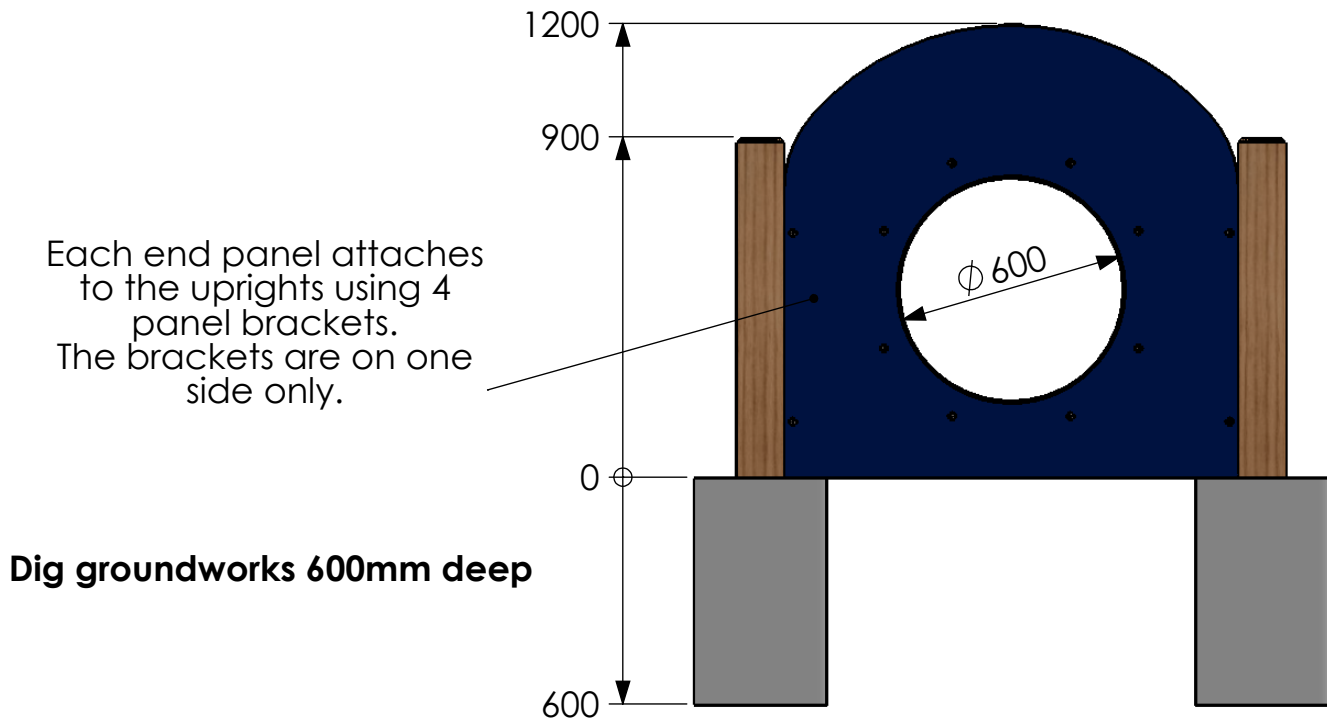


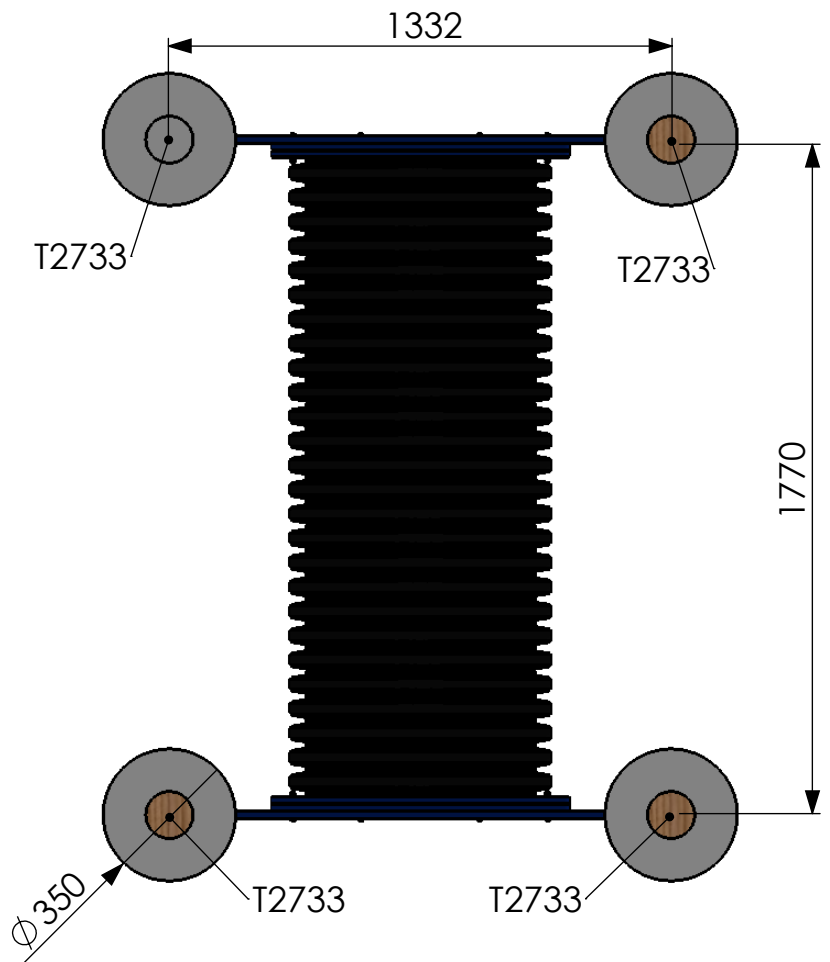
1.8m Underground Tunnel

Excavation Detail



Once assembled the tunnel can be buried.

Max load 1000kg



This equipment for play areas is manufactured following the codes & practice outlined in the British and European standards and in so doing meets the requirements of BSEN 1176 (general safety and test methods).