

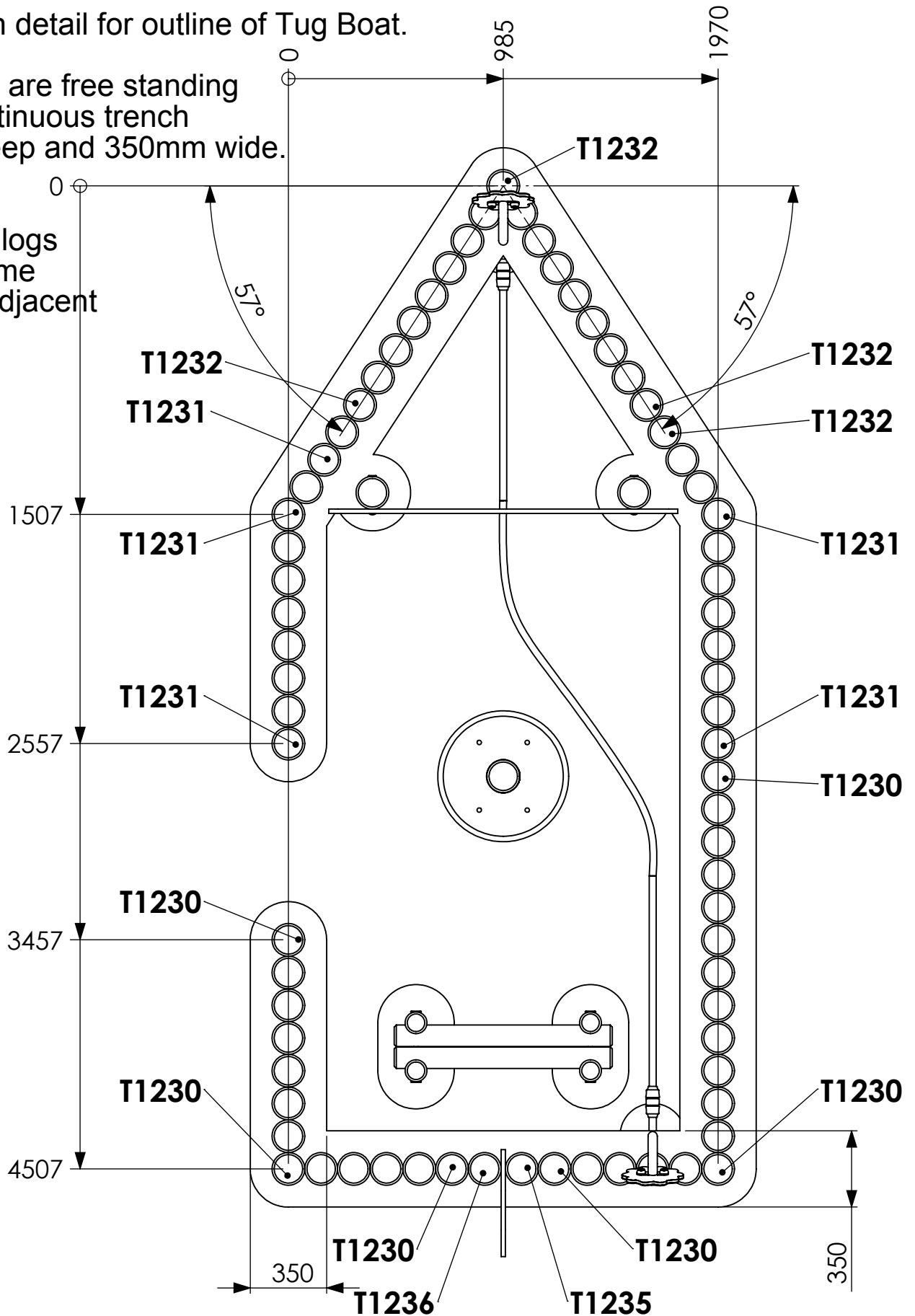
# Tug Boat

## Excavation Detail - Page 1

Excavation detail for outline of Tug Boat.

All timbers are free standing so dig continuous trench 400mm deep and 350mm wide.

unmarked logs are the same as those adjacent



# Tug Boat

## Excavation Detail Cont - Page 2

Groundwork depths

Arch is 400mm deep

Funnel Seat is 600mm deep

Bench is 400mm deep

