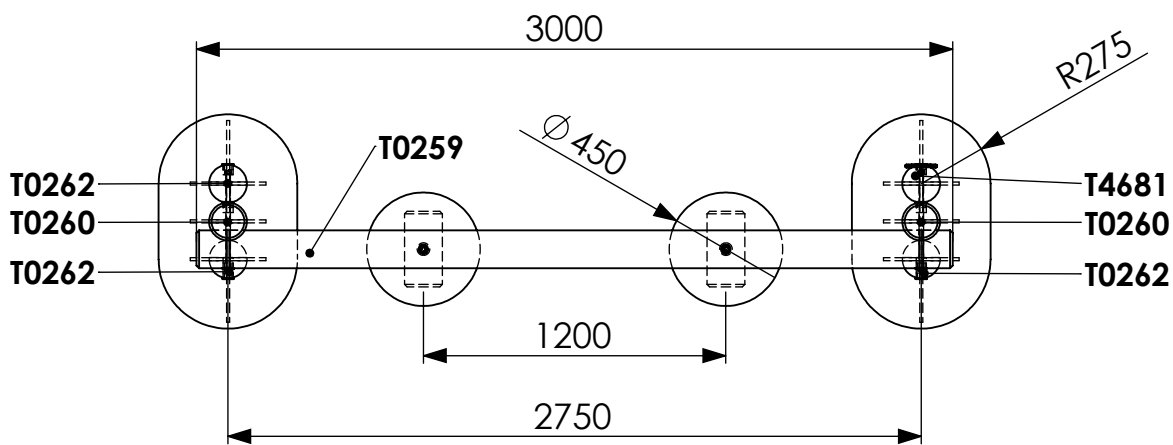
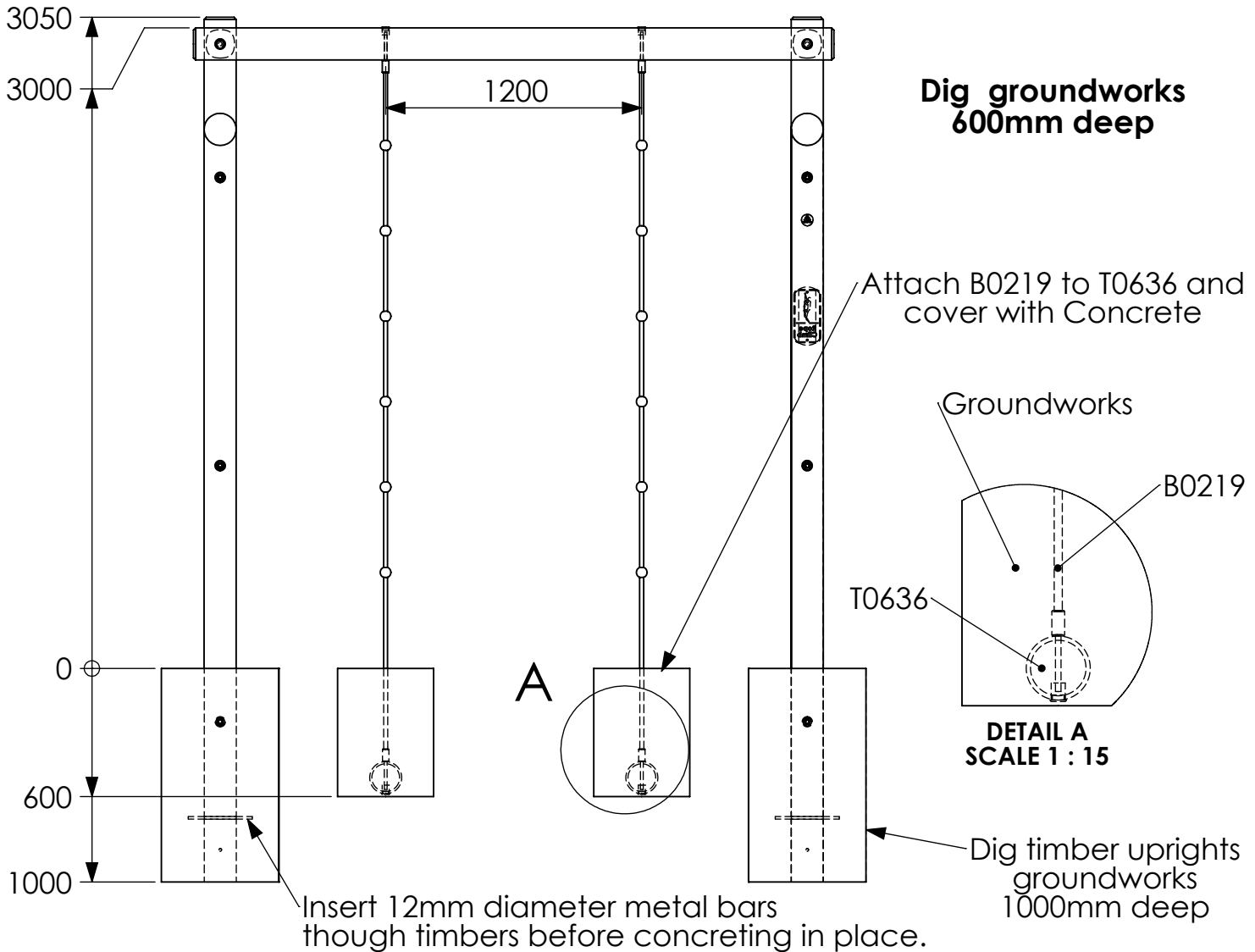


Rope Climb

Excavation Detail



FFH: 3.050mm

Safety Surface is required, please see page 3

This equipment for play areas is manufactured following the codes & practice outlined in the British and European standards and in so doing meets the requirements of BSEN 1176 (general safety and test methods).