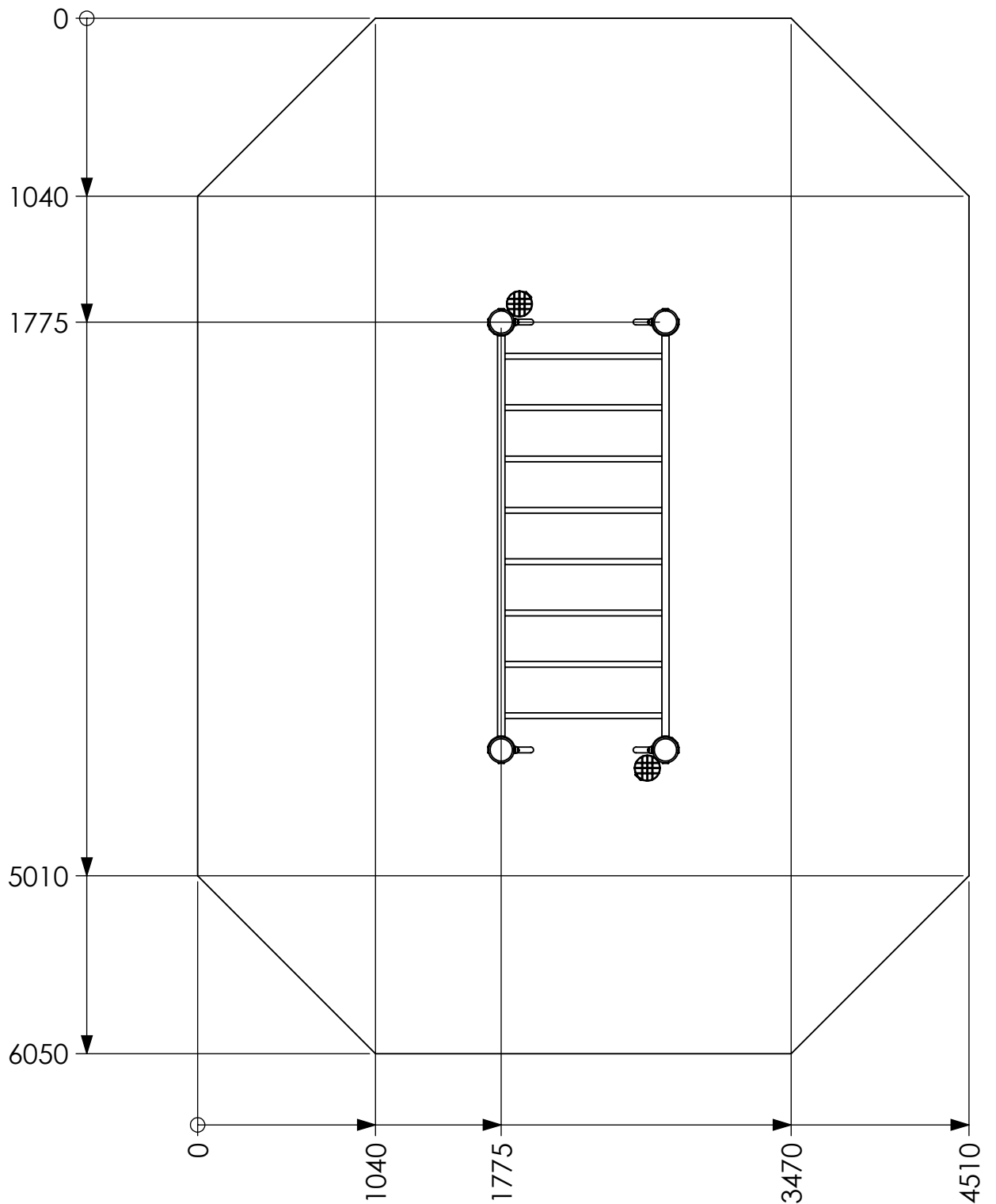


Monkey Bars

Surfacing Detail



FFH: 1.85m

Surface Area: 25.3m²

This equipment for play areas is manufactured following the codes & practice outlined in the British and European standards and in so doing meets the requirements of BSEN 1176 (general safety and test methods).