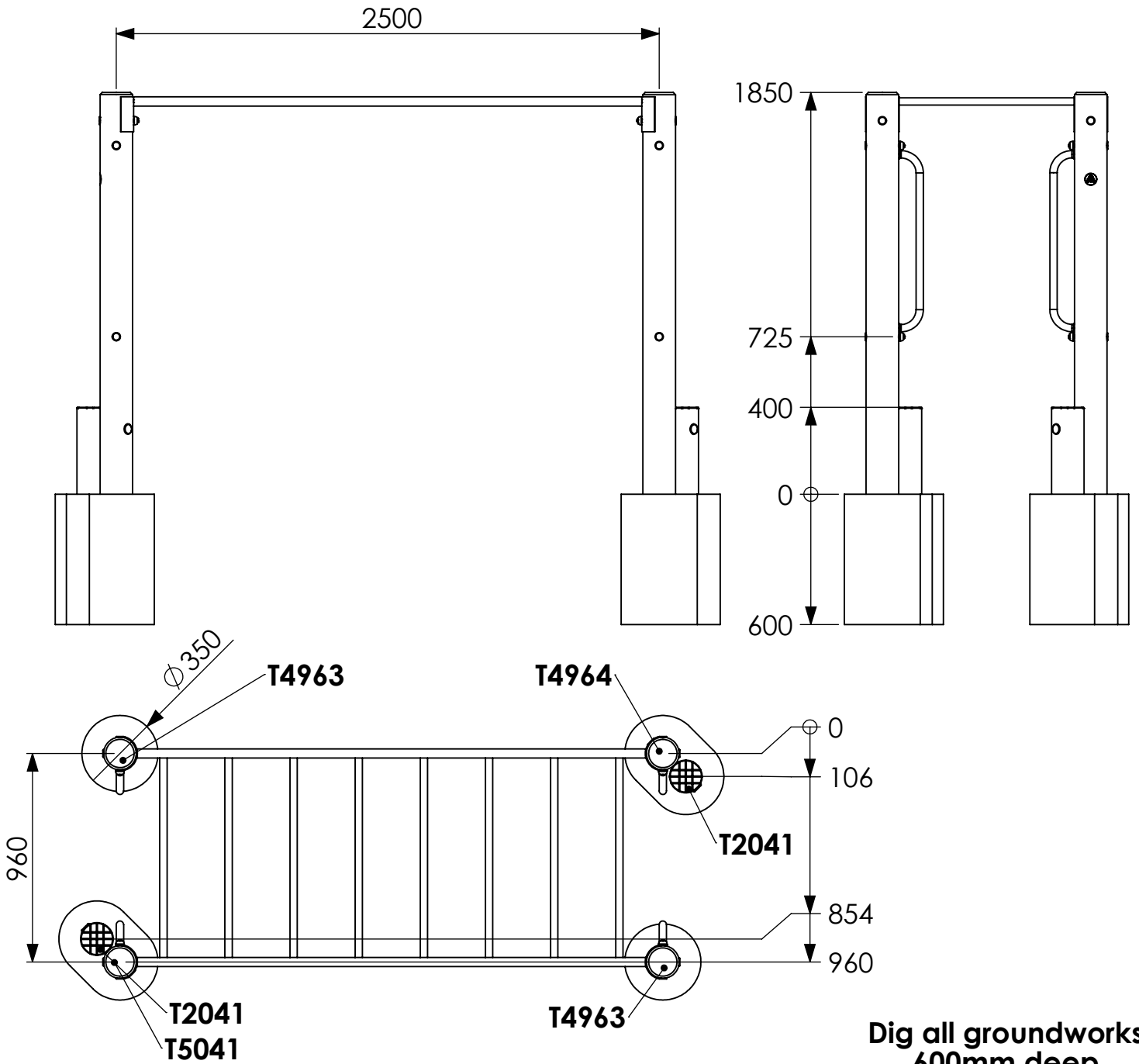


# Monkey Bars

## Excavation Detail



**Dig all groundworks  
600mm deep**

**FFH: 1.85m**

Please note safety  
surface is required  
please see page 3.

This equipment for play areas is manufactured following the codes & practice outlined in the British and European standards and in so doing meets the requirements of BSEN 1176 (general safety and test methods).