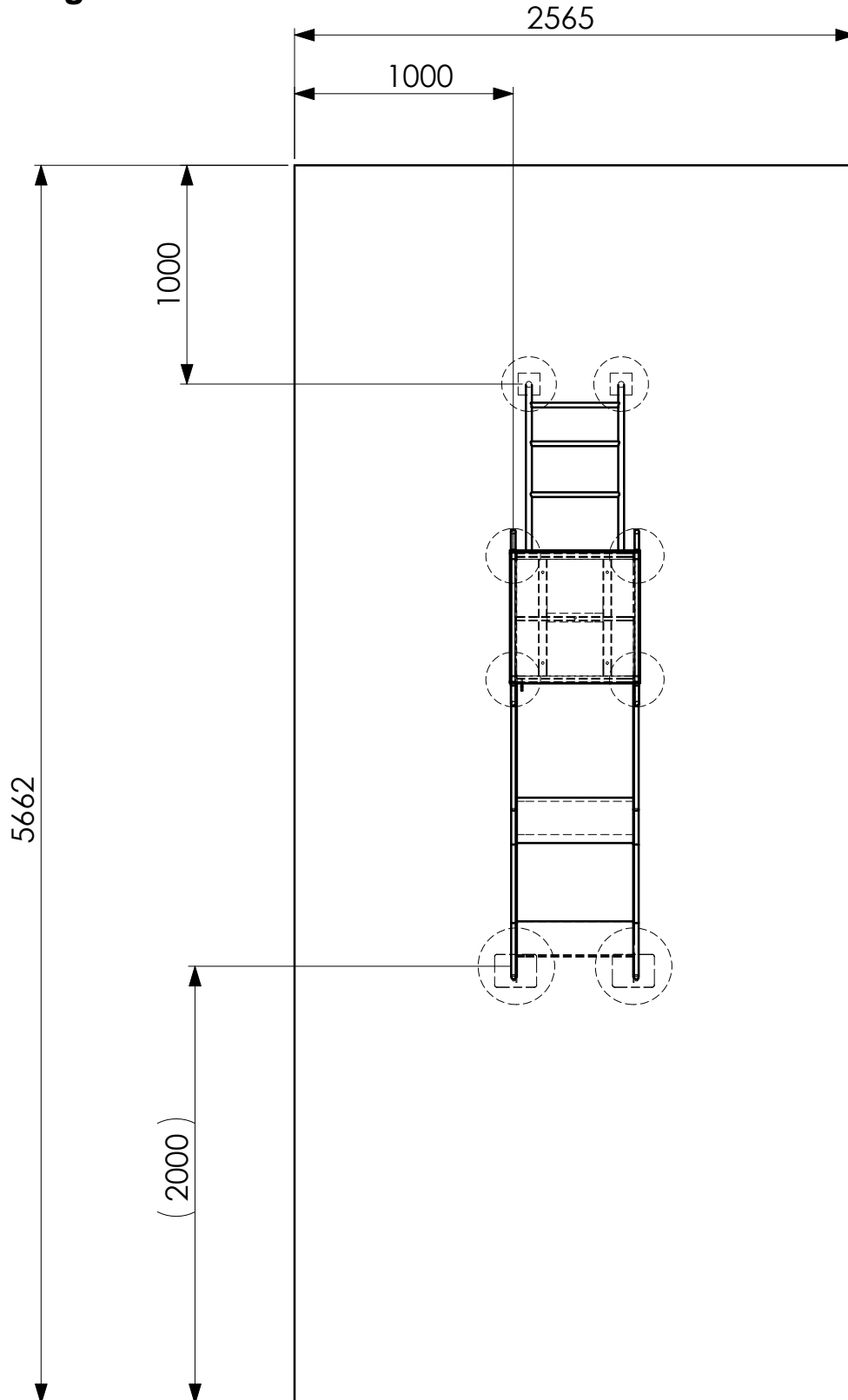


Surfacing



Area shown is minimum recommended

FFH: <600mm

Area: 14.52 square meters

Perimeter: 16.45m

This equipment for play areas is manufactured following the codes & practice outlined in the British and European standards and in so doing meets the requirements of BSEN 1176 (general safety and test methods).