

# Installation Instructions Flat Pack



1.1



1. Assemble frame and notes as shown in images 1.2, 1.3 and 1.4 (see Assembly Guide)

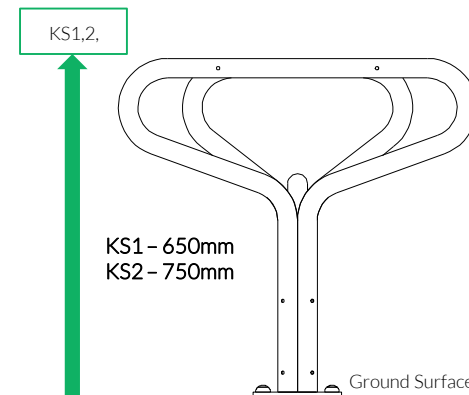
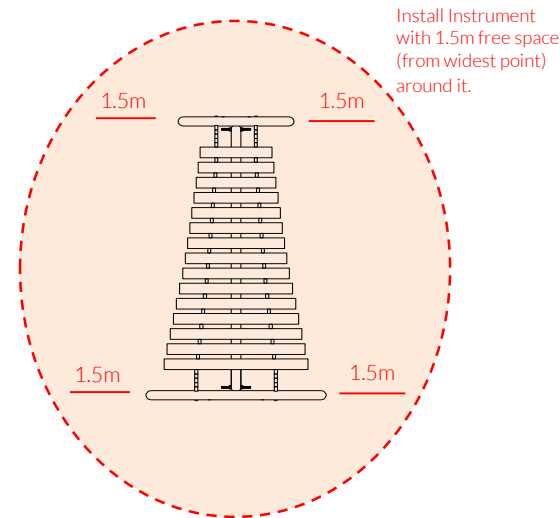
2. Attach Surface Fixing Plates to base of each leg using fixings provided (See Surface Fix Post Installation Sheet)

3. Locate Instrument in desired location and mark holes to fix to desired surface.

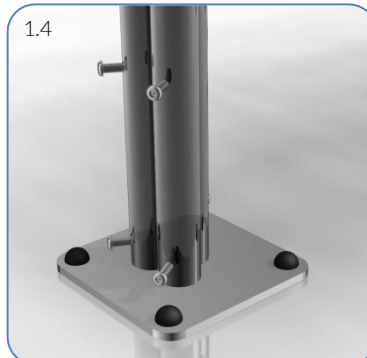
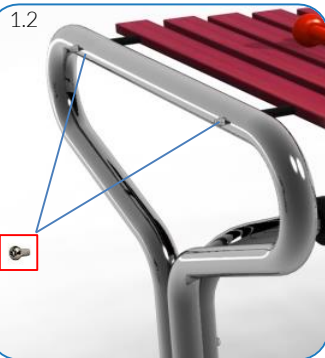
4. Fix to Surface using recommended ground anchors not supplied

5. Make sure all fixings are covered and secure using cover caps provided

6. Beaters can be fixed to frame with fixings provided  
1.5



Metric Conversion:
250mm/ 10"
300mm/ 12"
400mm/ 16"
650mm/ 26"
750mm/ 30"
1.5m/ 59"



Weight of heaviest part 15kg (Notes)

## Surface Fixed

Marimba  
Page 1 of 2





### Instrument Components:

-  x4
-  x2
-  x4
-  x4
-  x4



### Surface Fix Components

-  x4
-  x8

Ground Anchors not supplied



42 Kg



# Assembly Guide PPMARI



**Tools:**

 x1       x1

TX 40 Driver Bit      TX 30 Driver Bit

## Surface Fixed

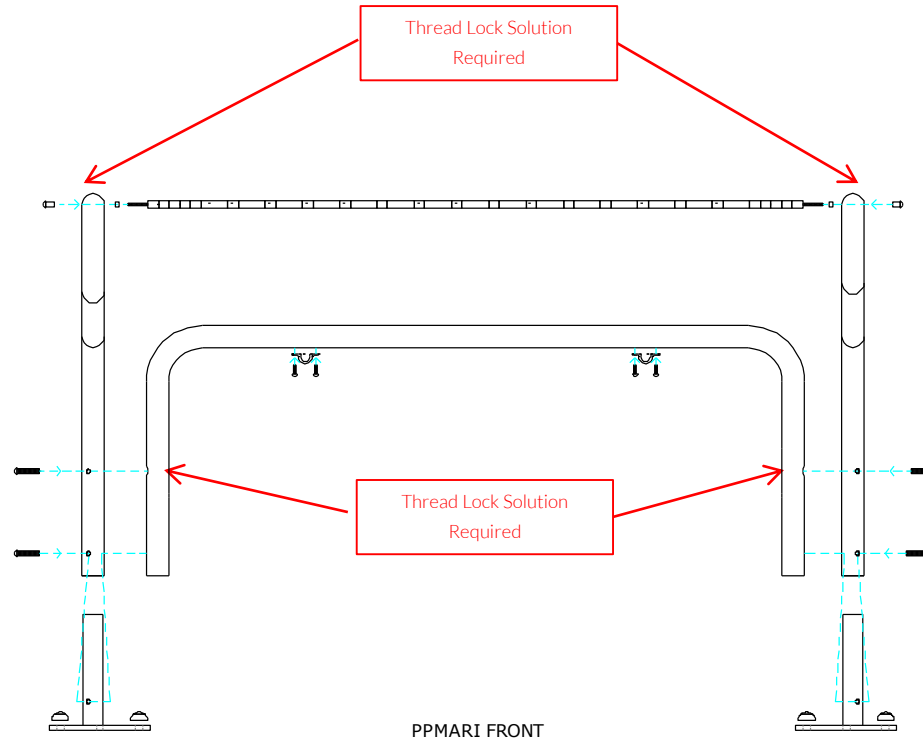
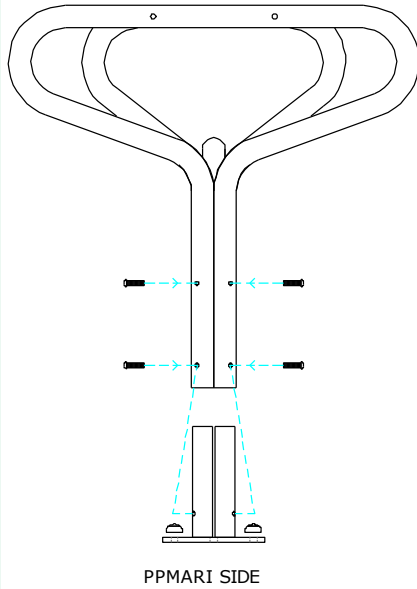
Marimba  
Page 2 of 2





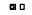



### Instrument Components:

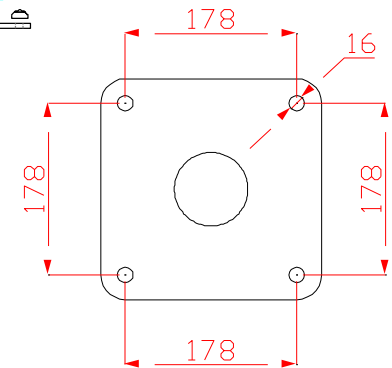
-  x4
- M6x20 Security Screw
-  x2
- M6 Saddle Strap
-  x4
- M8x60 Security Screw
-  x4
- M8 Barrel Nut
-  X4
- M8 Square Nut X4


Thread Lock Solution  
Required



### COMPONENTS LIST:

-  M8x60 Pin torx X8
-  M8 Barrel Nut Pin torx X4
-  M8 Square nut X4
-  Saddle Strap X2
-  M6x20 Pin torx X4
-  2 Part black cap X8



 Pair Large Red  
Beaters X2

### Surface Fix Components

 x4

M8x60 Security Screw

 x8

2 Part Cover Cap

Ground Anchors  
not supplied

42 Kg