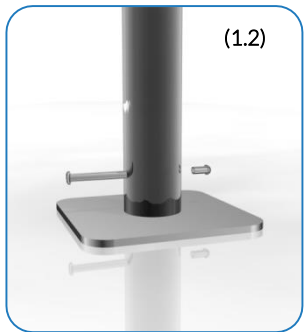
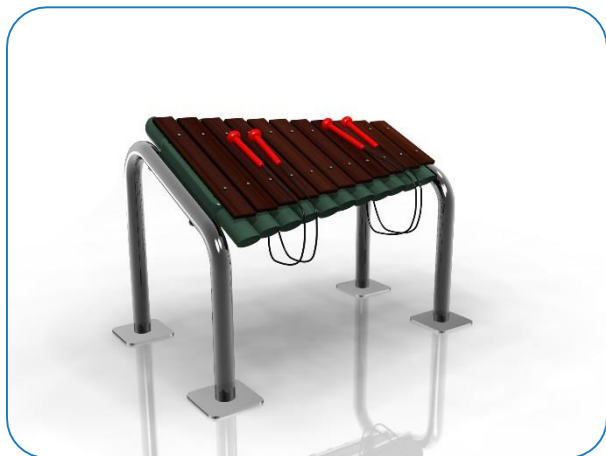


Installation Instructions



Surface Fixed

Grand Marimba
Page 1 of 3



1. Attach the steel legs to each end of the instrument with the M10x30 security screws. (See Assembly Guide)

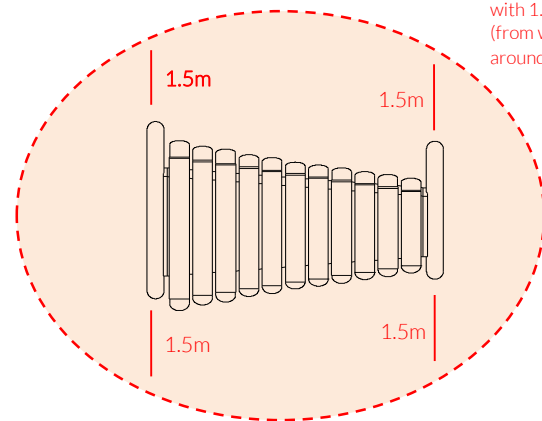
2. Attach Surface Fixing posts to legs(1.2) (See Ground Fix Post Installation Sheet)

3. Locate Plate in desired location and mark holes to fix to desired surface.

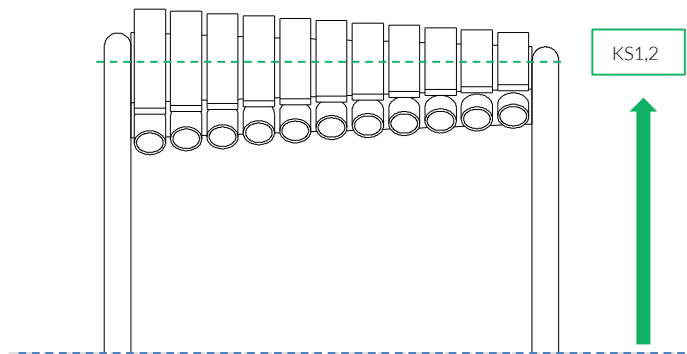
4. Fix to Surface using recommended ground anchors not supplied

5. Make sure all fixings are covered and secure using cover caps provided

6. Attach the 2 pairs of beater to the under side of the instrument



Install Instrument with 1.5m free space (from widest point) around it.



Weight of heaviest part 40kg (Grand Marimba)



Pair Large Red Beaters X2

Ground Fix Components:



2 Part Cover Cap x16



M10 Barrel Nut x4



M10x70 Security Screw x4

48 Kg

Instrument Components:



x4

M10x30 Security Screw



10x3/4 Secure Screw X4

Metric Conversion:
250mm/ 10"
400mm/ 16"
550mm/ 22"
1.5m/ 59"



Assembly Guide PPGMAR



Tools:

 x1  x2

TX 25 Driver Bit TX 45 Driver Bit

Thread Lock Solution
Required (Not Supplied)

Surface Fixed

Grand Marimba
Page 2 of 3



Instrument Components:

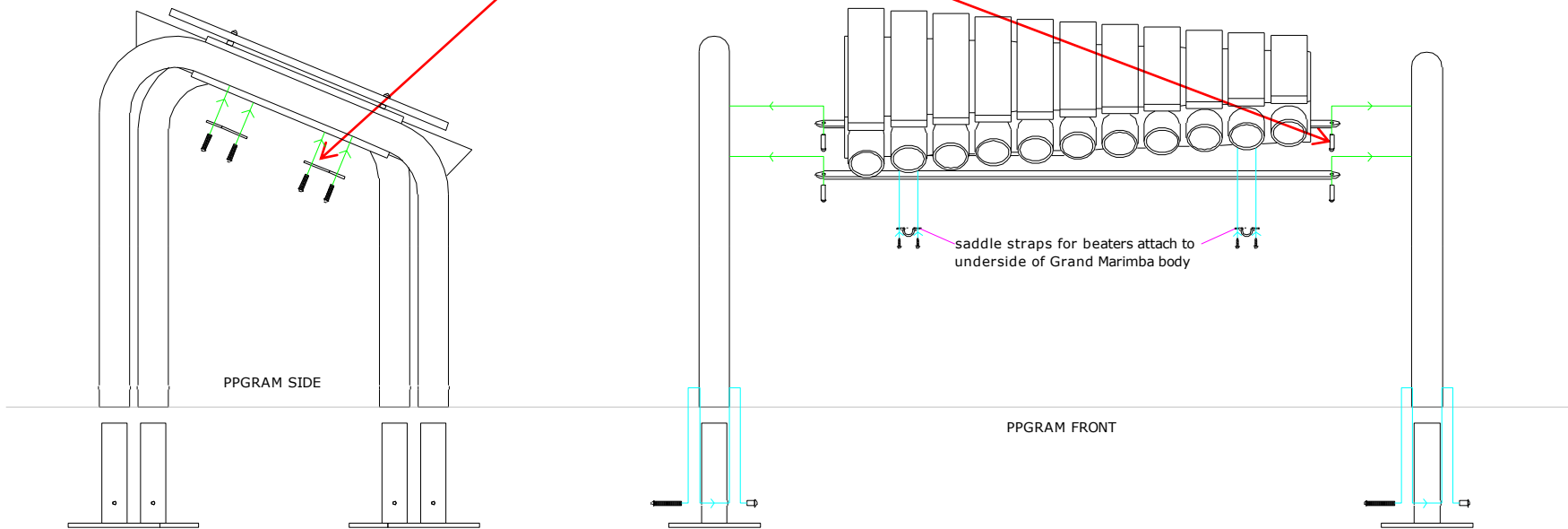


x4

M10x30 Security Screw








10x3/4
Secure Screw
X4



saddle straps for beaters attach to underside of Grand Marimba body

COMPONENTS LIST:

-  Saddle Strap X2
-  10x3/4 Pin torx Screw X4
-  M10x30 Pin torx X4
-  M10x70 Pin torx X4
-  M10 Barrel Nut Pin torx X4


Thread Lock Solution
Required (Not Supplied)



 Pair Large Red Beaters X2

Ground Fix Components:

 x16
2 Part Cover Cap

 x4
M10 Barrel Nut

 x4
M10x70 Security Screw

48 Kg

Surface Fix Post Installation

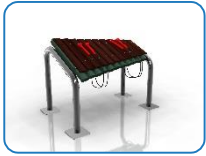


Tools:



Surface Fixed

Grand Marimba
Page 3 of 3



Components:



x4

M10 Barrel Nut



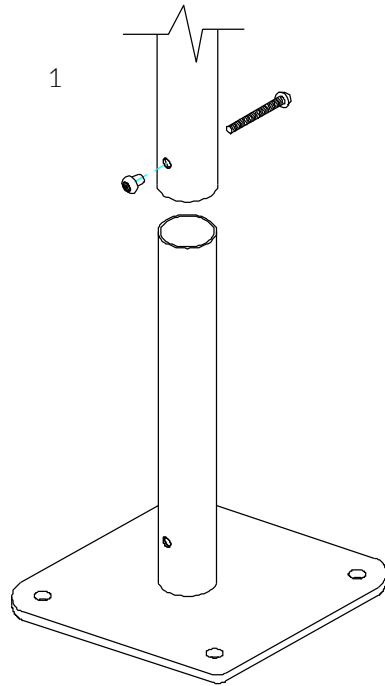
x4

M10x70 Security Screw

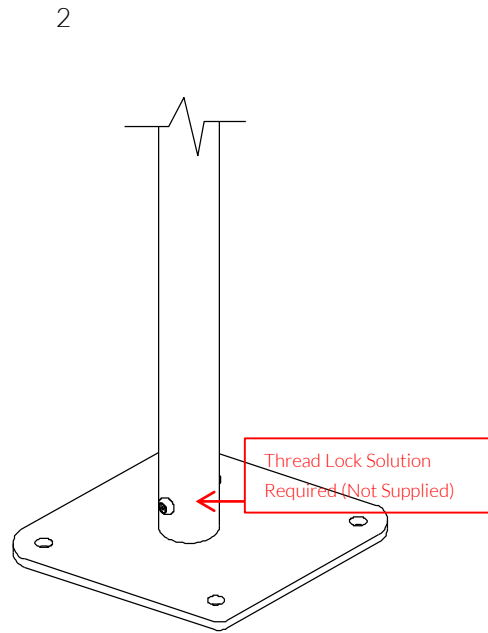


x16

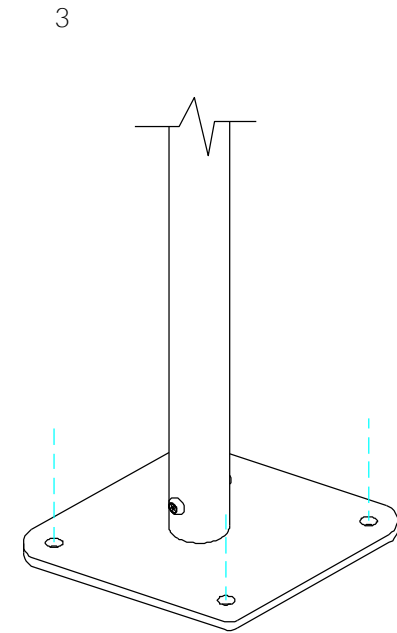
2 Part Cover Cap



1
Locate the Surface fix Plate into the leg of the instrument.



2
Fix instrument to Surface fix plate using M10 bolt and Barrel Nut and use **thread locking solution** to prevent fixings working loose.



3
Fix Surface Plate to the ground surface **Ground Anchors Not provided** cover fixings with caps provided

Thread Lock Solution
Required (Not Supplied)



MADE IN
BRITAIN

BSEN 1176