

Product Specification

AMVFA-AP-FIESAMBU3

Ambulance Play Panel



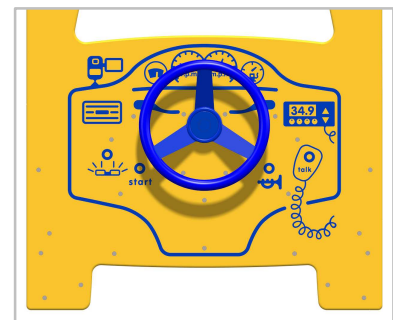
Details shown are for panel only.

To be fixed on to posts or wall mounted.

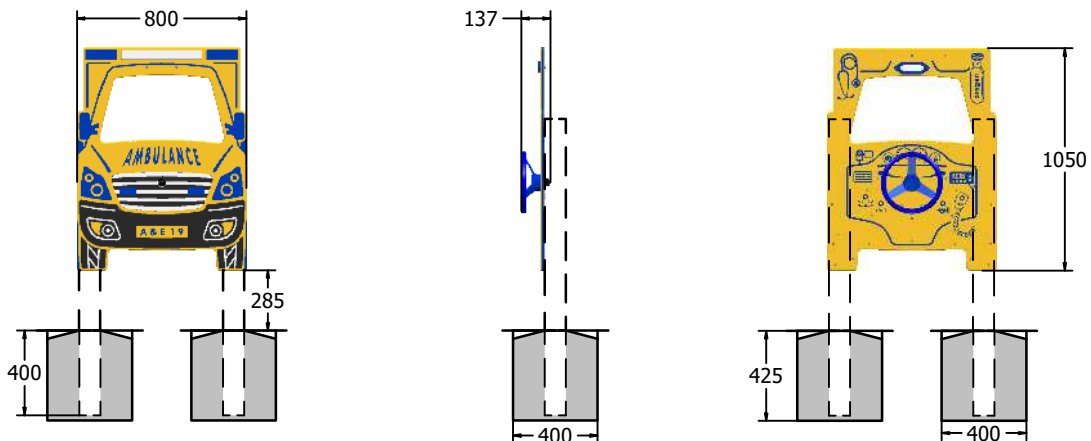
Contact AMV Playground Solutions for supply of suitable posts or wall fixings.



Double Sided Panel



Includes Moving Steering Wheel



Age Range: 2+ Years
 Largest Part: Complete Assembly - 800 x 1050
 Heaviest Part: Complete Assembly - 12.4Kg
 Total Weight: 12.4Kg
 Surfacing: N/A

Minimum Inspection Schedule	
Inspection Type	Inspection Frequency
Visual	Every Month
Functionality	Every Month
Comprehensive	Every 6 Months

Designed to British & European Standard BS EN 1176

Material: **Design Panel** - Two Colour High Density Polyethylene (HDPE) with orange peel texture finish

Colour Choices: **Design Panel** - Broad selection available, visit the website below for further details