

Product Information

Virtuoso Spin Maraca Tree with Alu Post

BS EN 1176 - Designed to British & European Standards

MATERIALS

Panels - Two Colour High Density Polyethylene (HDPE)

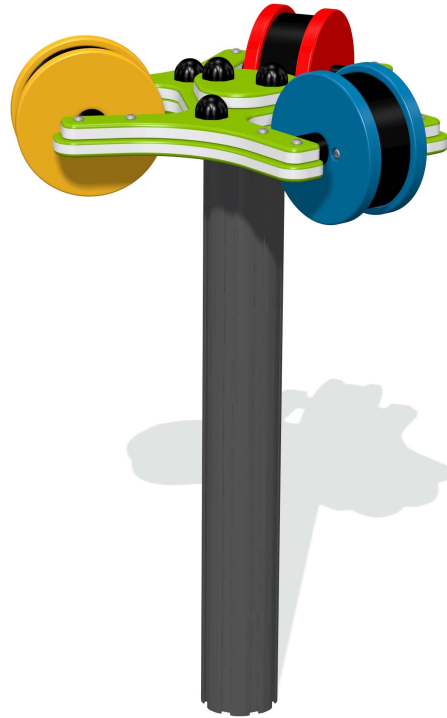
Post - Extruded aluminium post with powder coat finish

Maracas - High Density Polyethylene (HDPE)

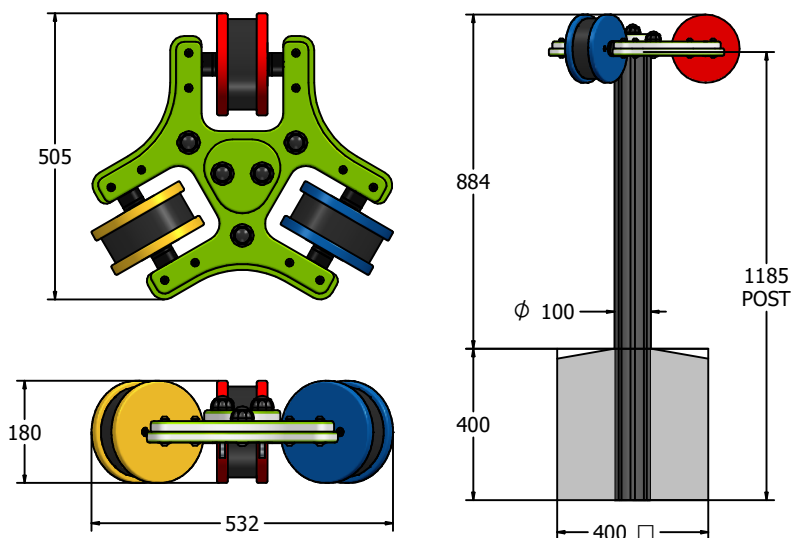
SUPPLY METHOD

Maracas & Panels - Assembled

Post & Cap - Separately



DIMENSIONS



TECHNICAL

Age Range: 2+ Years
Largest Part: Post - 1185 x ϕ 100mm
Heaviest Part: Maraca Assembly - 8Kg Approx.
Total Weight: 13Kg Approx.
Surfacing: N/A