

# Product Information

## Virtuoso Small Cymbal with Alu Post

BS EN 1176 - Designed to British & European Standards

### MATERIALS

**Panels** - Two Colour High Density Polyethylene (HDPE)

**Post** - Extruded aluminium post with powder coat finish


**Cymbal** - Stainless Steel Disc with a smooth textured finish

### SUPPLY METHOD

Fully Assembled

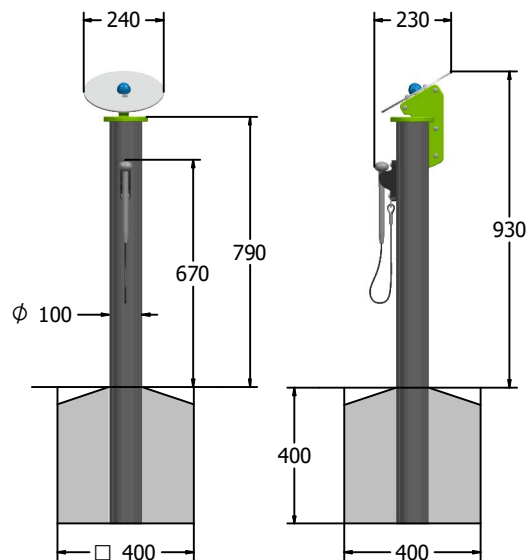
### FEATURES

 **MUSICAL** - Tuned Cymbal

 **INCLUSIVE** - Cymbal positioned at accessible height



### DIMENSIONS



### TECHNICAL

**Age Range:** 2+ Years  
**Largest Part:** Post - 1185 x  $\phi$ 100mm  
**Heaviest Part:** Post - 4.8kg  
**Total Weight:** 8kg  
**Surfacing:** N/A