

Product Information

Virtuoso Multi Chimes (8 Piece Set)

BS EN 1176 - Designed to British & European Standards

MATERIALS

Panels - Single Colour High Density Polyethylene (HDPE)

Post - Extruded aluminium post with powder coat finish

Chimes - Anodised aluminium with a brushed finish

SUPPLY METHOD

Chimes & Posts - Fully assembled

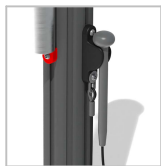
FEATURES



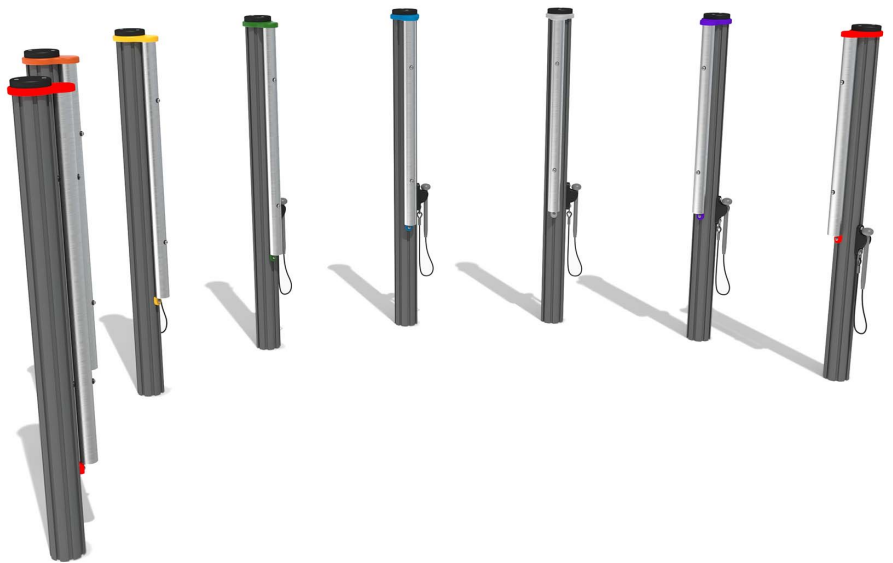
INCLUSIVE - Chimes positioned at easily accessible height



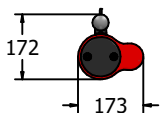
MUSICAL - Set of 8 musically tuned chimes



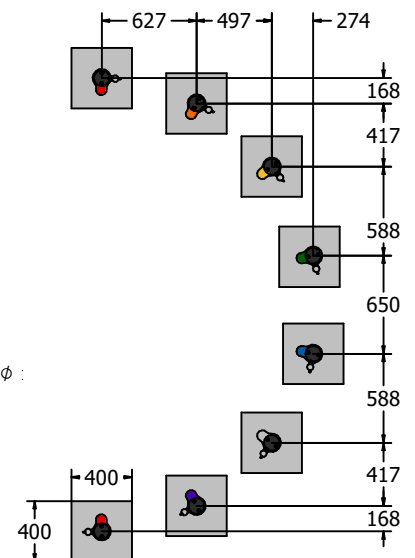
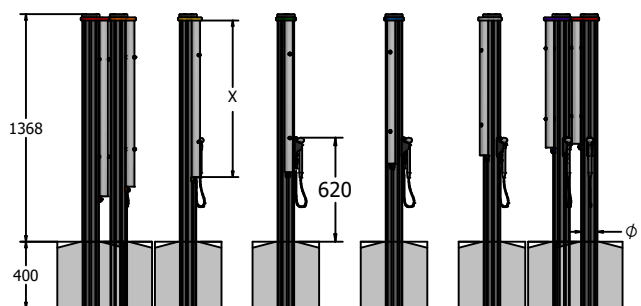
Each Chime Complete with Beater & Holder



DIMENSIONS



Tube Length (x)		
Note	Length (mm)	Colour
C4	1062.5	Red
D4	1002.5	Orange
E4	945	Yellow
F4	916	Green
G4	865	Blue
A4	815	Grey
B4	768	Violet
C5	746	Red



TECHNICAL

Age Range: 2+ Years
Largest Part: Assembled Posts (x8): 1770x172x173mm
Heaviest Part: Single Assembled Post: 10kg Approx.
Total Weight: 80kg Approx.
Surfacing: N/A