

# Product Information

## Virtuoso Multi Chimes (4 Piece Set)

BS EN 1176 - Designed to British & European Standards

### MATERIALS

**Panels** - Single Colour High Density Polyethylene (HDPE)

**Post** - Extruded aluminium post with powder coat finish

**Chimes** - Anodised aluminium with a brushed finish

### SUPPLY METHOD

**Chimes & Posts** - Fully assembled

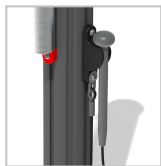
### FEATURES



**INCLUSIVE** - Chimes positioned at easily accessible height



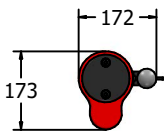
**MUSICAL** - Set of 4 musically tuned chimes



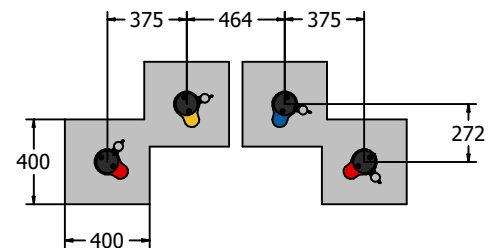
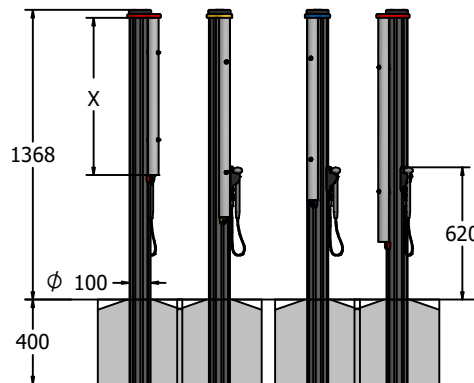
Each Chime Complete with Beater & Holder



### DIMENSIONS



Tube Length (x)		
Note	Length (mm)	Colour
C4	1062.5	Red
E4	945	Yellow
G4	865	Blue
C5	746	Red



### TECHNICAL

**Age Range:** 2+ Years  
**Largest Part:** Assembled Posts (x4): 1770x172x173mm  
**Heaviest Part:** Single Assembled Post: 10kg Approx.  
**Total Weight:** 40kg Approx.  
**Surfacing:** N/A