

Product Information

Virtuoso Large Cymbal with Alu Post

BS EN 1176 - Designed to British & European Standards

MATERIALS

Panels - Two Colour High Density Polyethylene (HDPE)

Post - Extruded aluminium post with powder coat finish

Cymbal - Stainless Steel Disc with a smooth textured finish

SUPPLY METHOD

Support Arm - Pre-assembled

Post, Cap & Cymbal - Supplied seperately with fixings

FEATURES



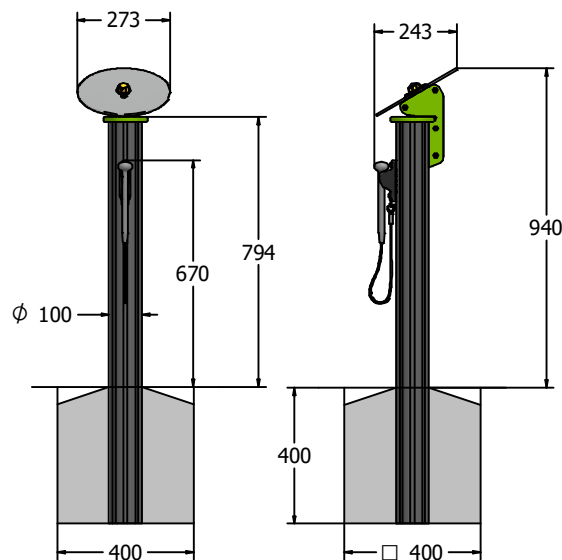
MUSICAL - Tuned cymbal



INCLUSIVE - Cymbal positioned at accessible height



DIMENSIONS



TECHNICAL

Age Range: 2+ Years
Largest Part: Post - 1185 x ϕ 100mm
Heaviest Part: Post - 4.8kg
Total Weight: 8.6kg
Surfacing: N/A