

# Product Information

## Virtuoso Giant Chime Tree with Alu Posts

BS EN 1176 - Designed to British & European Standards

### MATERIALS

**Panels** - Two Colour High Density Polyethylene (HDPE)

**Post** - Extruded aluminium post with powder coat finish

**Chimes** - Anodised aluminium with a brushed finish

### SUPPLY METHOD

Fully Assembled

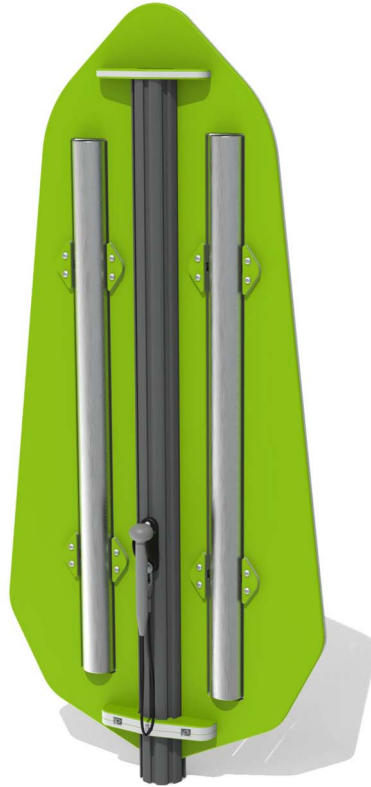
### FEATURES



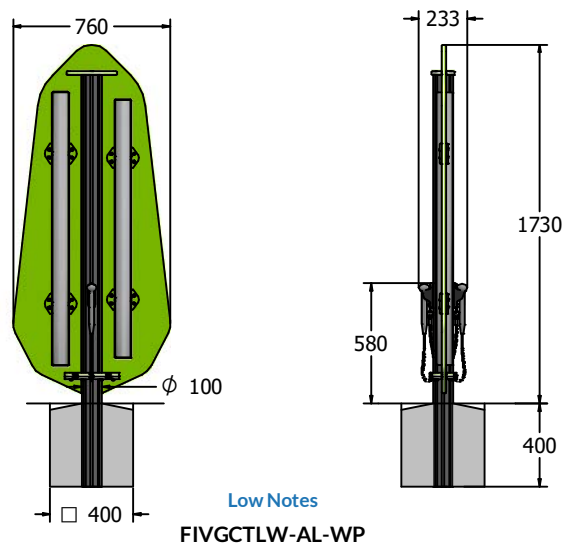
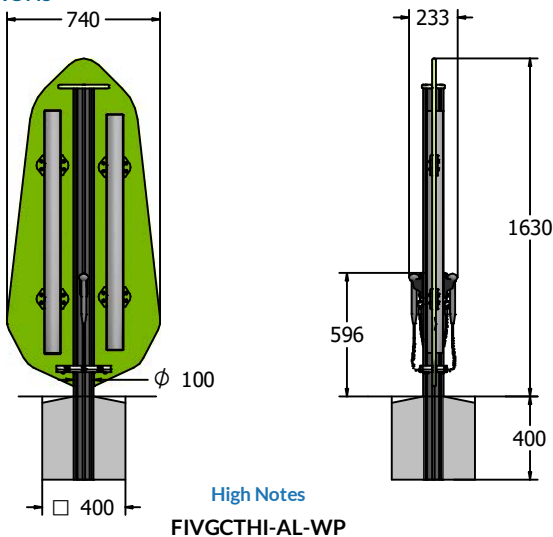
**INCLUSIVE** - Chimes positioned at easily accessible height



**MUSICAL** - Set of 2 musically tuned chimes



### DIMENSIONS



### TECHNICAL

**Age Range:** 2+ Years  
**Largest Part:** Complete Assembly 2030 x 740 x 225mm  
**Total Weight:** 25.4kg Approx.  
**Surfacing:** N/A

### TECHNICAL

**Age Range:** 2+ Years  
**Largest Part:** Complete Assembly 2130 x 760 x 225mm  
**Total Weight:** 27.2kg Approx.  
**Surfacing:** N/A