

Product Information

Virtuoso Flat Chimes Low with Alu Posts

BS EN 1176 - Designed to British & European Standards

MATERIALS

Panels - Two Colour High Density Polyethylene (HDPE)

Post - Extruded aluminium post with powder coat finish

Flat Chimes - Anodised aluminium with brushed finish

SUPPLY METHOD

Panel - Assembled

Posts - Includes T-slot stops & post caps

Beaters - Assembled

FEATURES



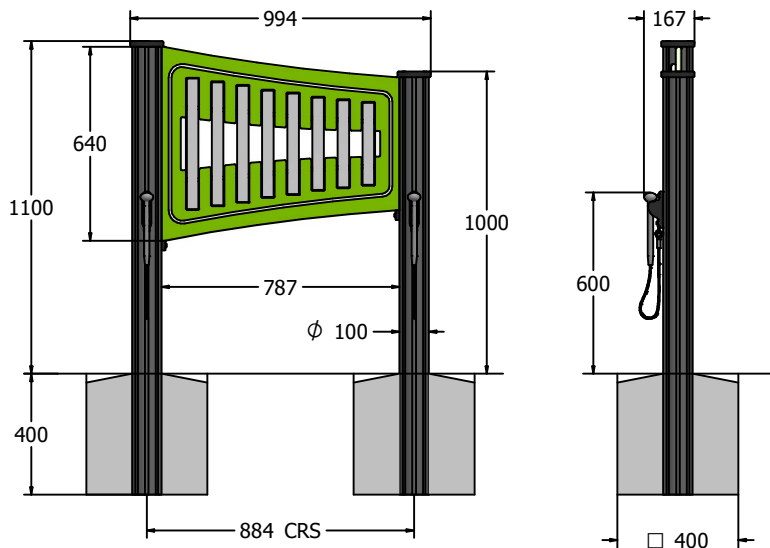
INCLUSIVE - Chimes positioned at easily accessible height



MUSICAL - Set of 8 musically tuned chimes



DIMENSIONS



TECHNICAL

Age Range: 2+ Years
Largest Part: Post 1500 x 166 x 110mm
Heaviest Part: Chime Panel Assembly 12kg Approx.
Total Weight: 25kg Approx.
Surfacing: N/A