

# Product Information

## Virtuoso Chime Quartet with Alu Post

BS EN 1176 - Designed to British & European Standards

### MATERIALS

**Panels** - Two Colour High Density Polyethylene (HDPE)

**Post** - Extruded aluminium post with powder coat finish

**Chimes** - Anodised aluminium with a brushed finish

### SUPPLY METHOD

Post, Chimes & Beater - Fully Assembled

### FEATURES



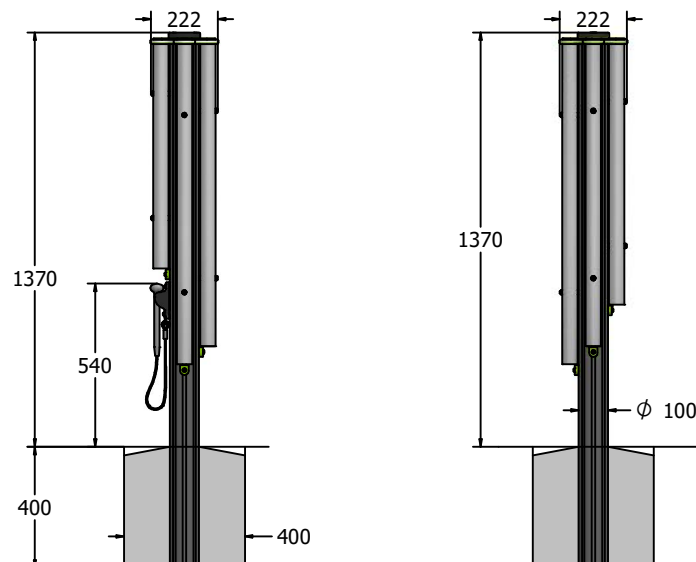
**INCLUSIVE** - Chimes positioned at easily accessible height



**MUSICAL** - Set of 4 musically tuned chimes



### DIMENSIONS



### TECHNICAL

**Age Range:** 2+ Years  
**Largest Part:** Chime Post Assembly 1770 x 222 x 222mm  
**Total Weight:** 13.5kg Approx.  
**Surfacing:** N/A