

Product Information

Virtuoso Bell Tree with Alu Post

BS EN 1176 - Designed to British & European Standards

MATERIALS

Panels - Two Colour High Density Polyethylene (HDPE)

Post - Extruded aluminium post with powder coat finish

Bells - Stainless steel bells with brushed finish

SUPPLY METHOD

Bells - Partially assembled

Beaters - Assembled

Post - Supplied separately

FEATURES



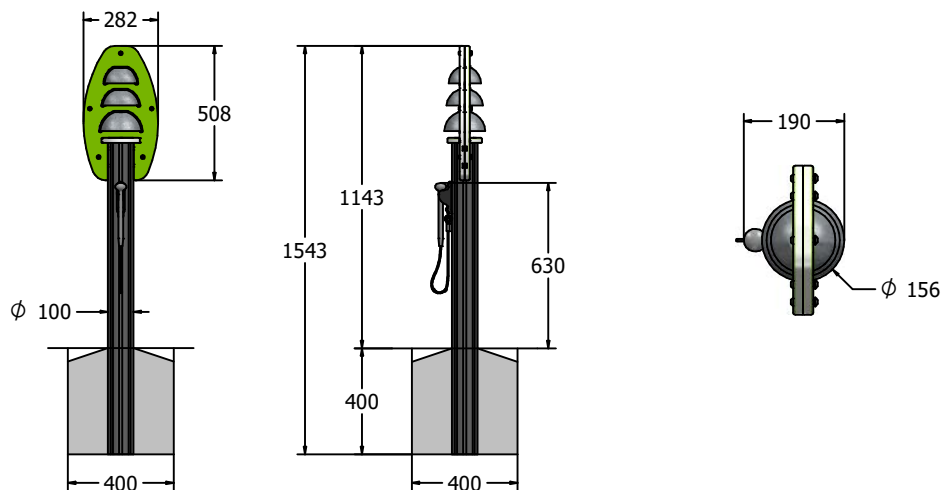
INCLUSIVE - Bells positioned at easily accessible height



MUSICAL - Set of 3 musically tuned bells



DIMENSIONS



TECHNICAL

Age Range: 2+ Years
Largest Part: Full Assembly: 1543 x 282 x 190mm
Heaviest Part: Full Assembly: 10kg
Total Weight: 10kg
Surfacing: N/A