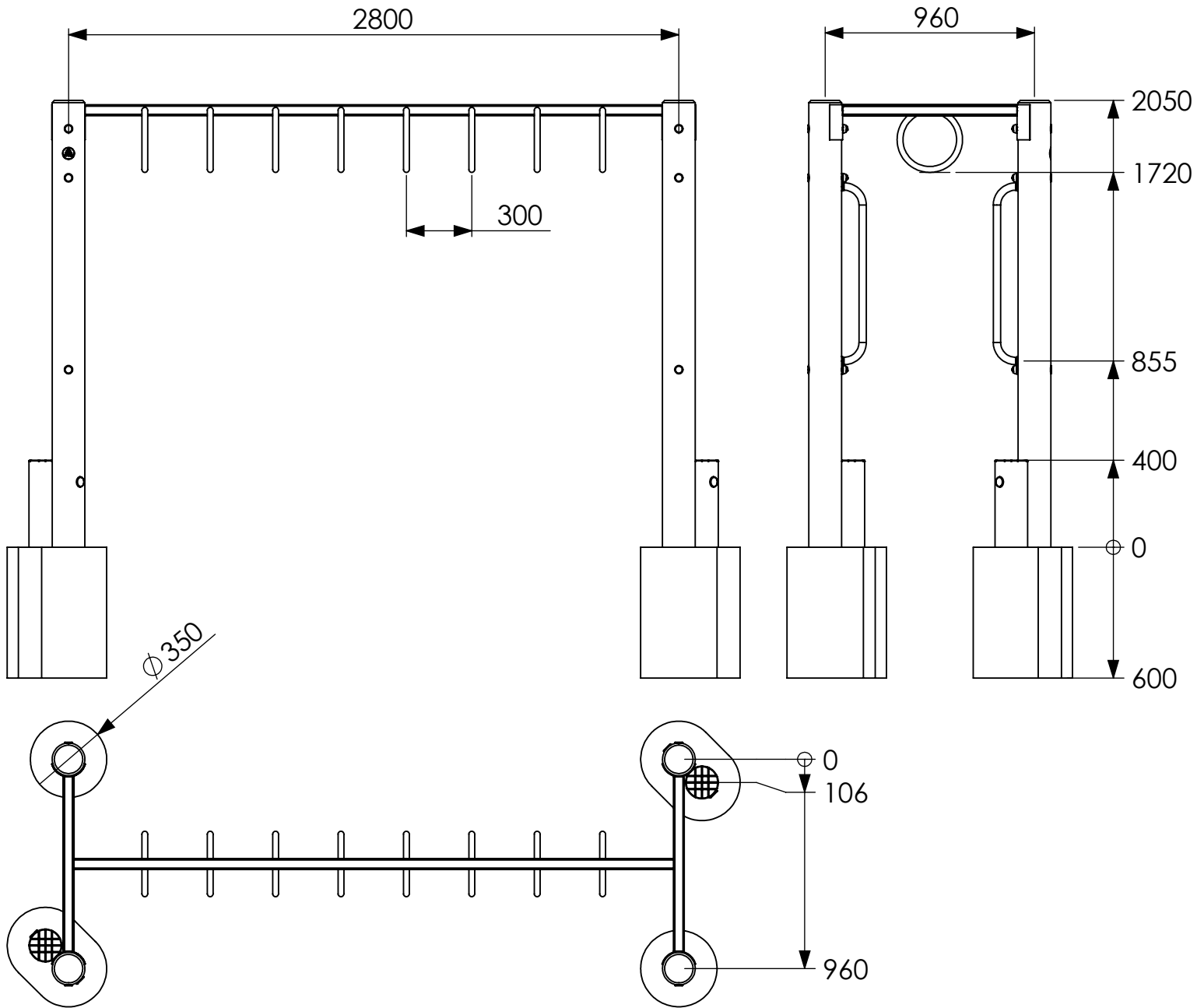


Tarzan Ring Beam

Excavation Detail



**Dig all groundworks
600mm deep**

Safety surface is required
please see page 3

This equipment for play areas is manufactured following the codes & practice outlined in the British and European standards and in so doing meets the requirements of BSEN 1176 (general safety and test methods).