

Product Information

Virtuoso Small Melody Wheel Tree with Alu Post

BS EN 1176 - Designed to British & European Standards

MATERIALS

Panels - Two Colour High Density Polyethylene (HDPE)


Post - Extruded aluminium post with powder coat finish


Melody Wheel - High Density Polyethylene (HDPE)

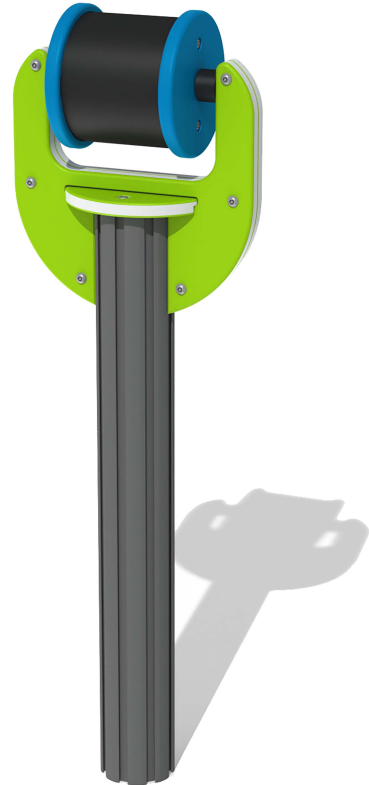
SUPPLY METHOD

Fully Assembled

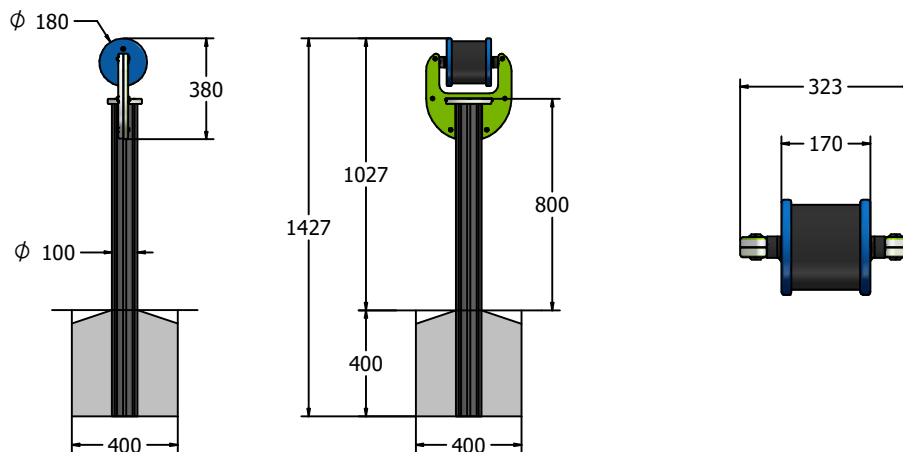
FEATURES

 **MUSICAL** - Hidden cam strikes chimes inside

 **ROTATE** - Spin at various speeds



DIMENSIONS



TECHNICAL

Age Range: 2+ Years
Largest Part: Full Assembly: 1427 x 323 x 180mm
Heaviest Part: Full Assembly: 9kg
Total Weight: 9kg
Surfacing: N/A