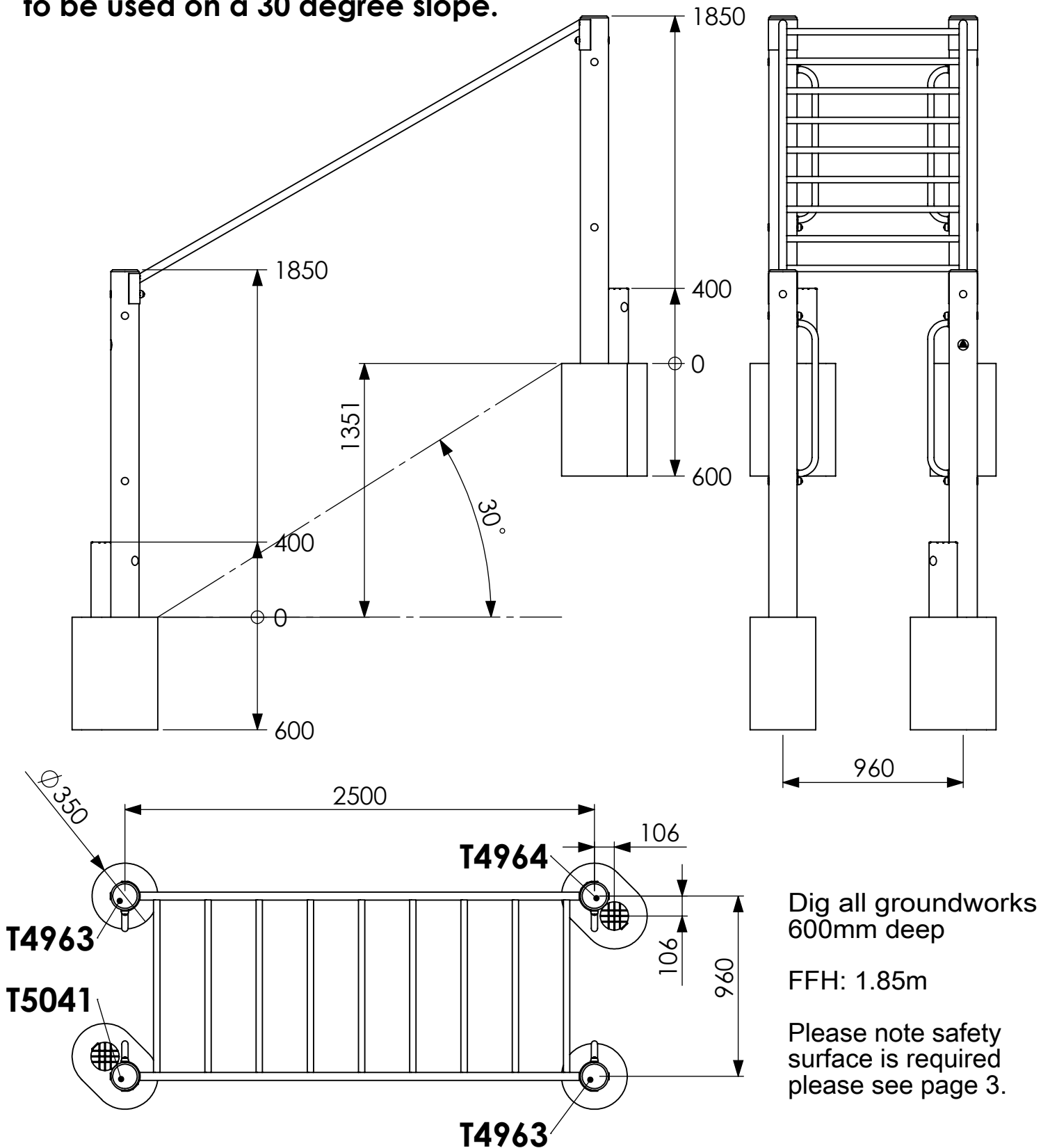


# Sloping Monkey Bars

## Excavation Detail

Sloping Monkey Bars are designed to be used on a 30 degree slope.



This equipment for play areas is manufactured following the codes & practice outlined in the British and European standards and in so doing meets the requirements of BSEN 1176 (general safety and test methods).