

# SANITISATION POINT



A complete range designed to simplify personal sanitisation and waste disposal operations.

A practical and elegant collection of sanitisation products available in a number of configurations suitable for both public and private environments - Such as offices, shopping centres, communal spaces in residential buildings, schools and many more.





**COLOMBO**  
The full station



**BERING**  
The space saver



**MAGELLANO**  
The adaptable solution



**VESPUCCI**  
The easy collector



Stickers kit - not applied - for:  
disposable gloves / masks / wipes



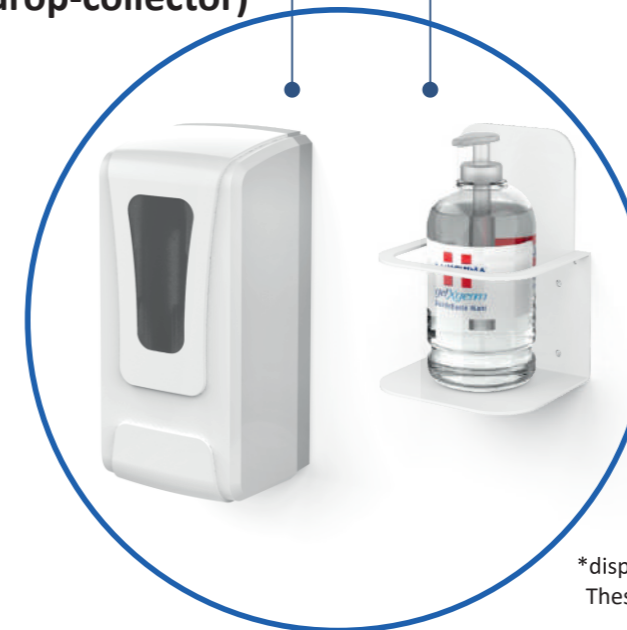
Optional accessory: wheels kit

Dimensions (version with feet):  
H=1420 mm, L=408 mm, D=356 mm  
Litter bin capacity: 60 lt  
Weight: approx. 28 kg



Optional accessory:  
circular sign for logo

Optional accessories:  
Dispenser with IR sensor (comes with drop-collector)\*  
Bottle-holder\*



\*dispenser and bottle-holder shown are purely indicative. These items can vary according to the availability.

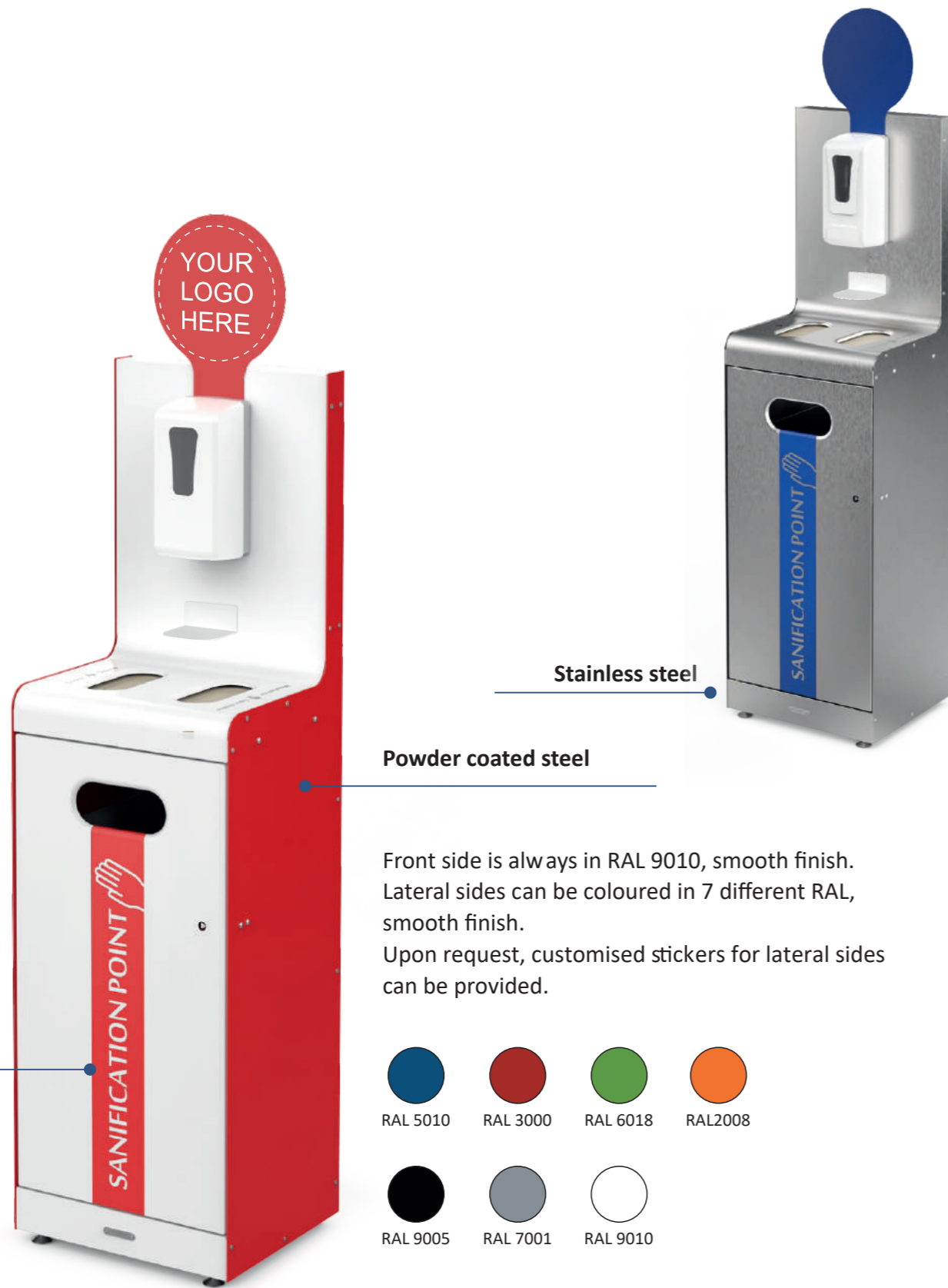
COLOMBO is a practical and elegant solution suitable for indoor use.

It is designed to be both a hand sanitation station, and a distribution point for disposable gloves, masks, or wipes.

It is simple and intuitive to use, and specific decals can be applied for a visual indication.

The system also includes a bin with a steel inner liner, to ease the collection and disposal of waste hygienically.

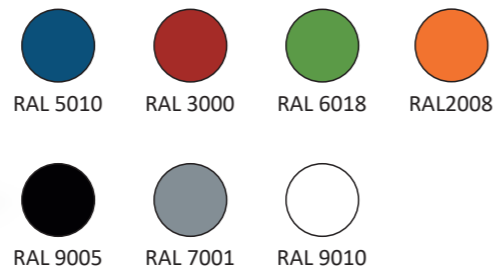
Thanks to pre-drilled holes on the front side, the station can be equipped with a battery powered automatic dispenser of hand-sanitizer or with a stainless steel universal bottle holder



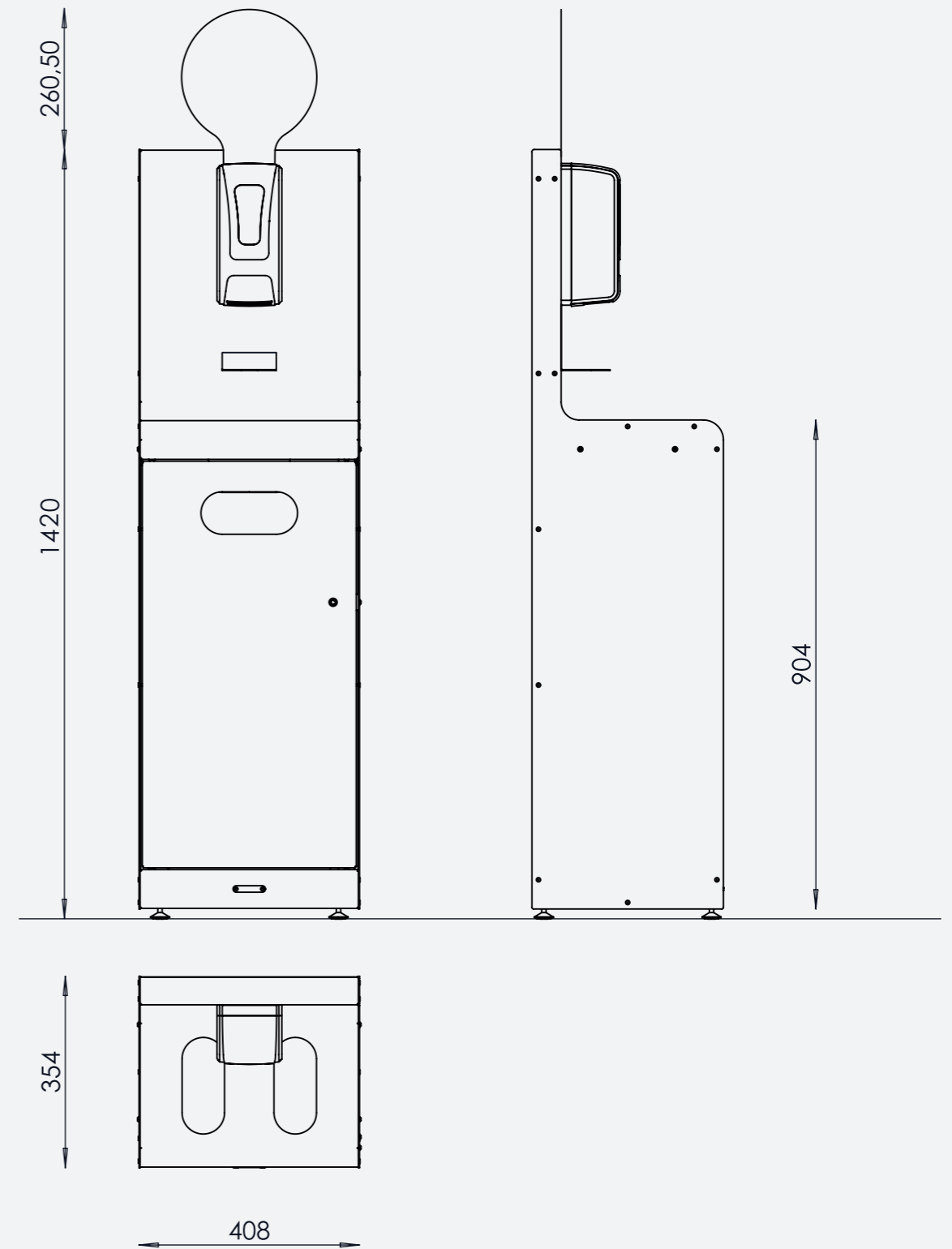
Powder coated steel

Stainless steel

Front side is always in RAL 9010, smooth finish. Lateral sides can be coloured in 7 different RAL, smooth finish. Upon request, customised stickers for lateral sides can be provided.



Sticker available in 6 colour combinations - not applied



Dimensions (version with feet):  
 H=1440 mm, L=408 mm, D=356 mm,  
 Inner liner capacity: 60 lt  
 Weight: approx. 28 kg



Optional accessories:

Dispenser with IR sensor (comes with drop-collector)\*

Bottle-holder\*

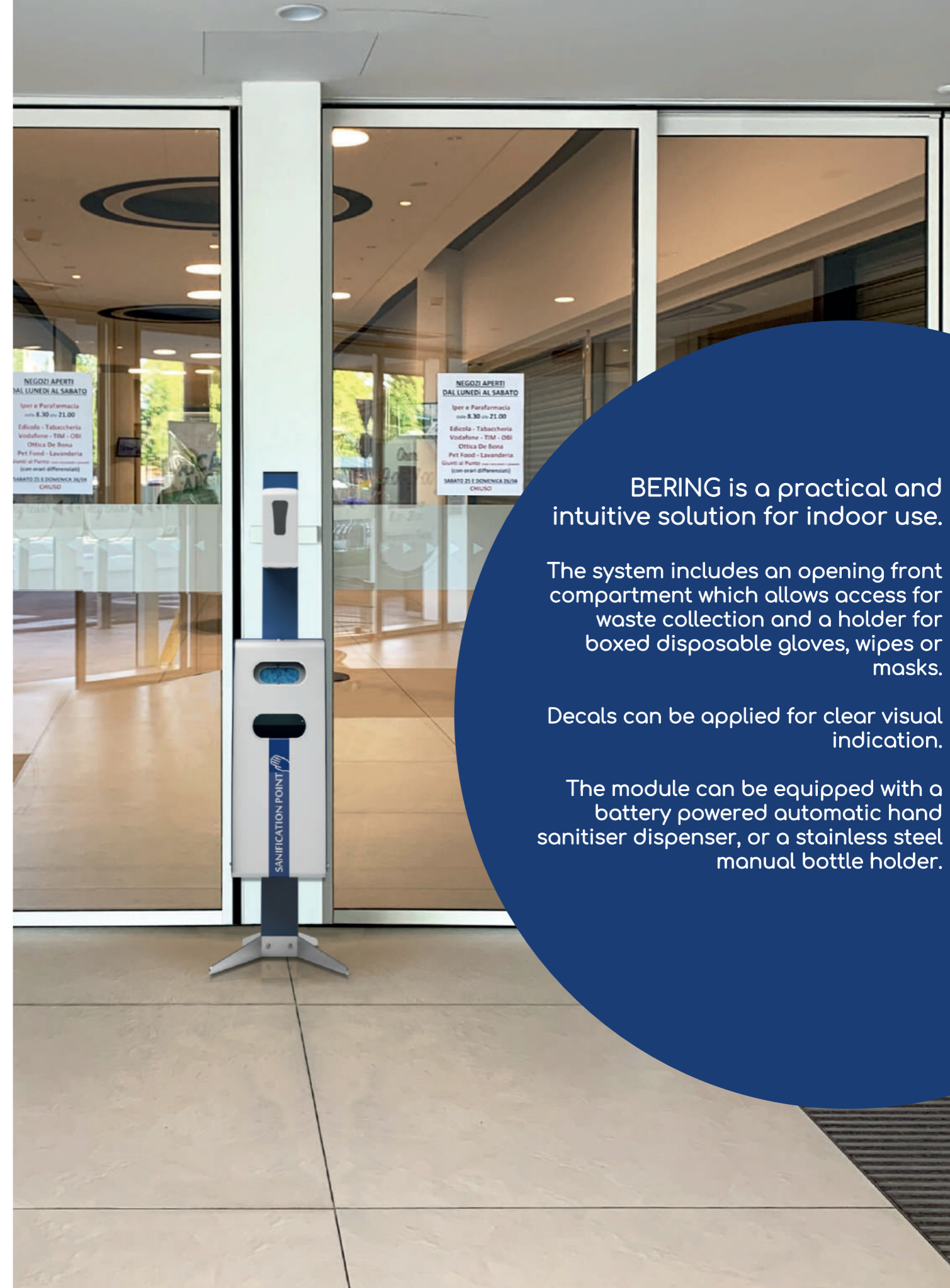


\*dispenser and bottle-holder shown are purely indicative. These items can vary according to the availability.



Stickers kit - not applied - for: disposable gloves / masks / wipes

Dimensions:  
H=1440 mm + h 260 mm, L=310 mm, D=303 mm  
Litter bin capacity: 22 lt  
Weight: approx. 21 kg



BERING is a practical and intuitive solution for indoor use.

The system includes an opening front compartment which allows access for waste collection and a holder for boxed disposable gloves, wipes or masks.

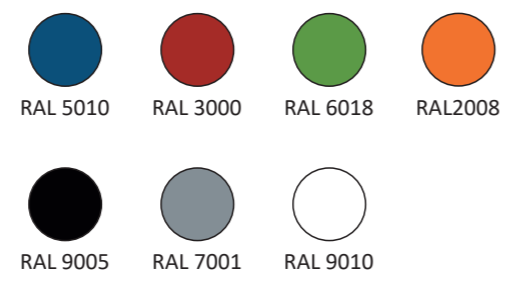
Decals can be applied for clear visual indication.

The module can be equipped with a battery powered automatic hand sanitiser dispenser, or a stainless steel manual bottle holder.

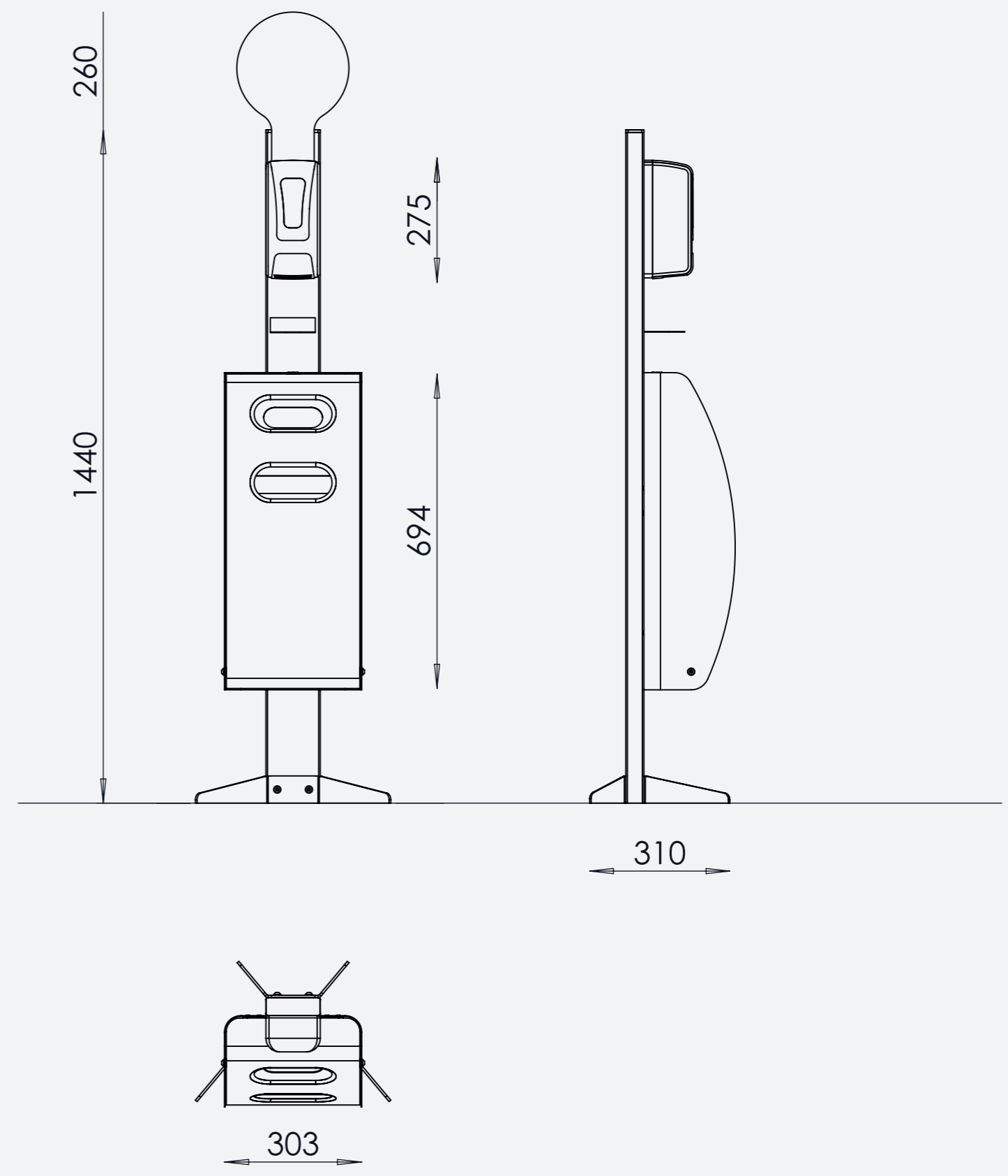


**Optional accessory:**  
circular sign for logo

Available in powder coated steel.  
Openable front door is always in RAL 9010, smooth finish.  
Column and fixed compartment structure can be coloured in 7 different RAL, smooth finish.



Sticker available in 6 colour combinations - not applied



Dimensions:  
H=1440 mm + h 260 mm, L=310 mm, D=303 mm  
Litter bin capacity: 22 lt  
Weight: approx. 21 kg

## Optional accessories:

Dispenser with IR sensor (comes with drop-collector)\*

Bottle-holder\*



\*dispenser and bottle-holder shown are purely indicative. These items can vary according to the availability.



As standard, the system includes two removable shelves easily fixable with knobs.

If needed, it is possible to install a simple litter bin with elastic bag holder.

Dimensions:  
 H=1440 mm + h 260,50 mm  
 L=403 mm, D=330 mm  
 Litter bin capacity: 38 lt  
 Weight: approx. 14 kg



MAGELLANO is a compact solution for the distribution of devices, such as disposable gloves, masks or wipes thanks to two removable shelves.

Decals can be applied for clear visual indication.

The module can be equipped with a battery powered automatic hand sanitiser dispenser, or a stainless-steel manual bottle holder.

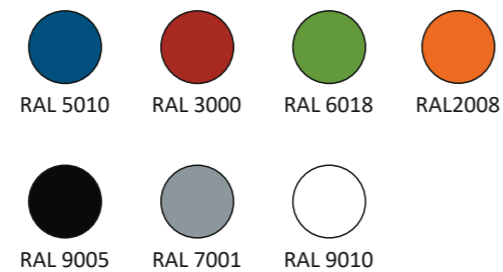
This unit offers a simplified open waste disposal point thanks to an elasticated refuse sack holder.



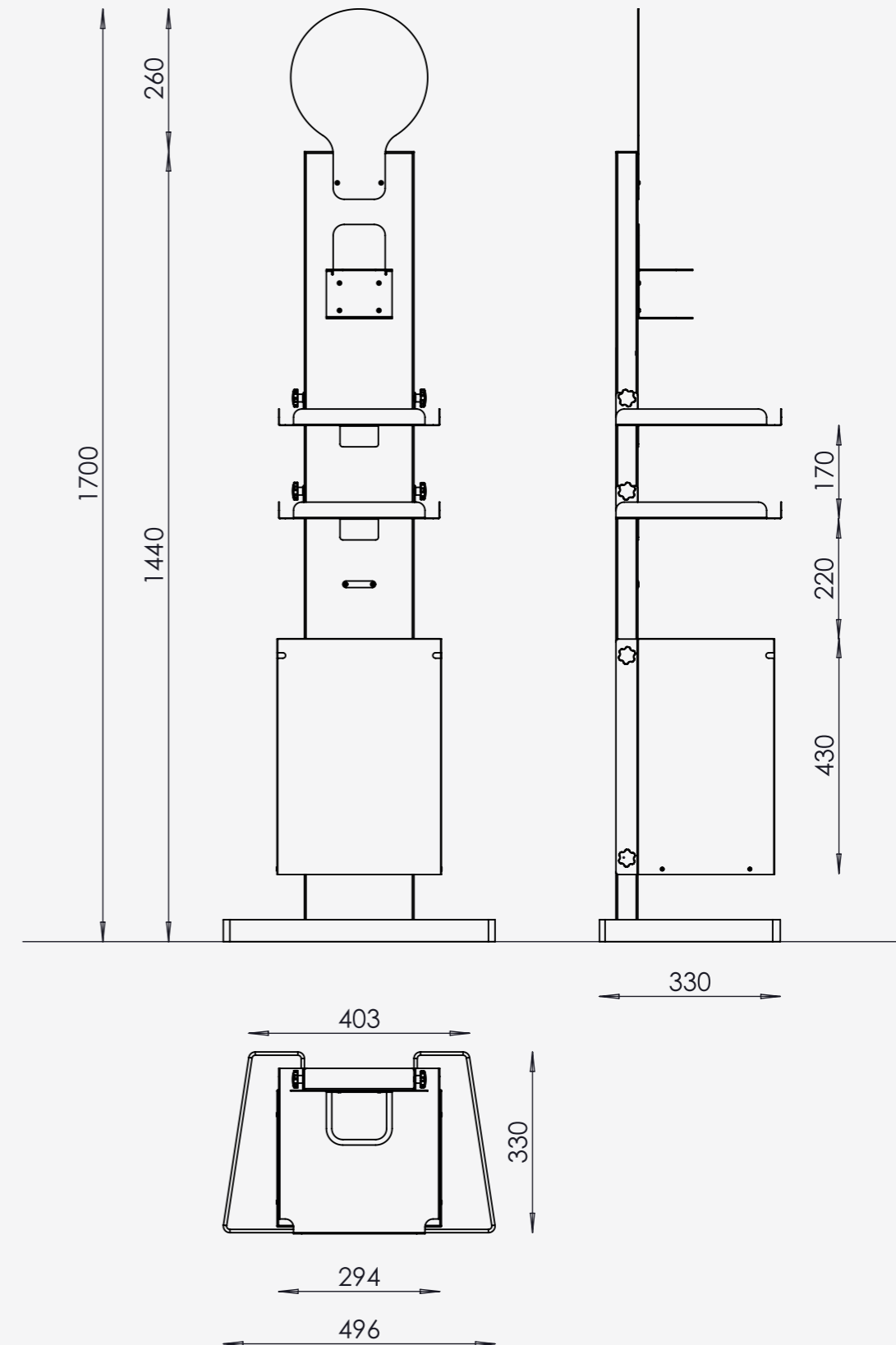
**Optional accessory:  
circular sign for logo**

Available in powder coated steel.

Openable front door is always in RAL 9010, smooth finish.  
Column and fixed compartment structure can be coloured in 7 different RAL, smooth finish.



Sticker available in 6 colour combinations - not applied



Dimensions:  
H=1440 mm + h 260,50 mm,  
L=403 mm, D=330 mm,  
Inner liner capacity: 38 lt  
Weight: approx. 14 kg



Structure in powder coated steel  
RAL 9010, smooth finish.



Sticker available in 6 colour combinations - not applied



Dimensions (version with feet):  
H=714,5 mm, L=325 mm, D=300 mm  
Litter bin capacity: 60 lt  
Weight: approx. 9 kg

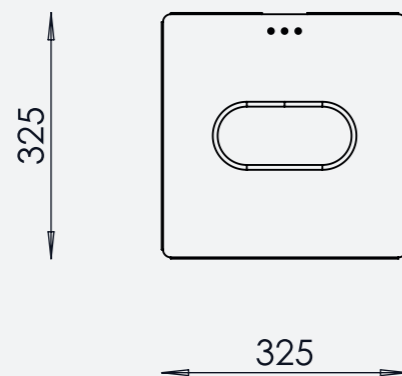
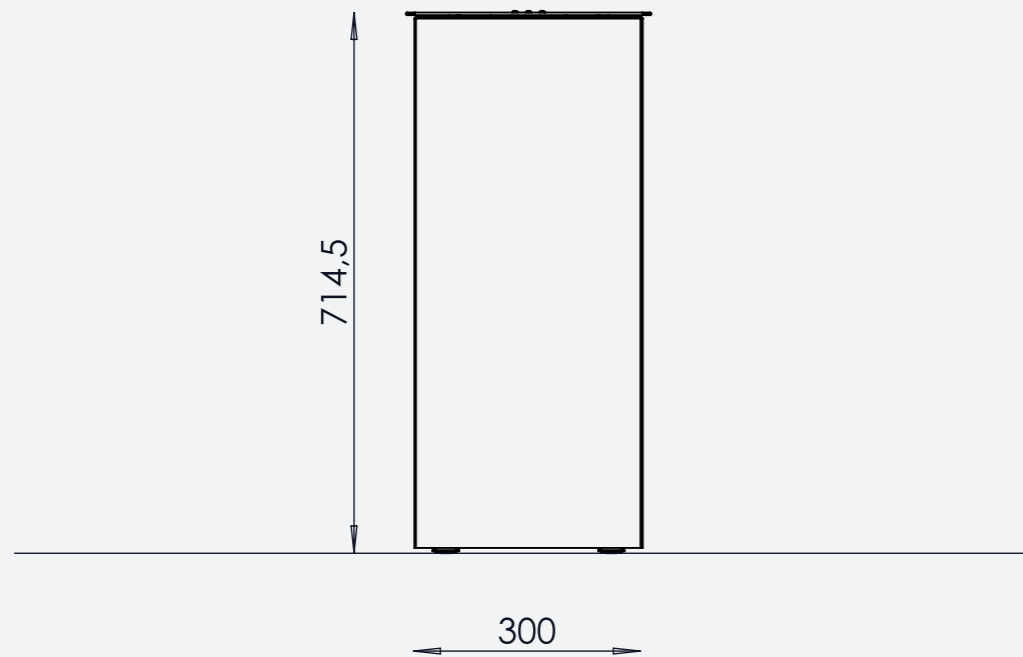


VESPUCCI is the perfect  
litter bin for indoor us.

Designed to ease the collection of  
disposed devices such as masks,  
gloves or wipes.

The opening top lip allows to easily  
removed waste respecting safety and  
hygiene.

The bin can be customised with  
stickers.



Dimensions (version with feet):  
H=714,5 mm, L=325 mm, D=300 mm  
Litter bin capacity: 60 lt  
Weight: approx. 9 kg

# For more details visit

[www.amvplaygrounds.co.uk](http://www.amvplaygrounds.co.uk)  
or contact  
[sales@amvplaygrounds.co.uk](mailto:sales@amvplaygrounds.co.uk)



**COLOMBO**  
The full station



**BERING**  
The space saver



**MAGELLANO**  
The adaptable solution



**VESPUCCI**  
The easy collector



inspiring  
urban furniture  
for the future

[www.bsfg.co.uk](http://www.bsfg.co.uk)  
[enquiries@bsfg.co.uk](mailto:enquiries@bsfg.co.uk)