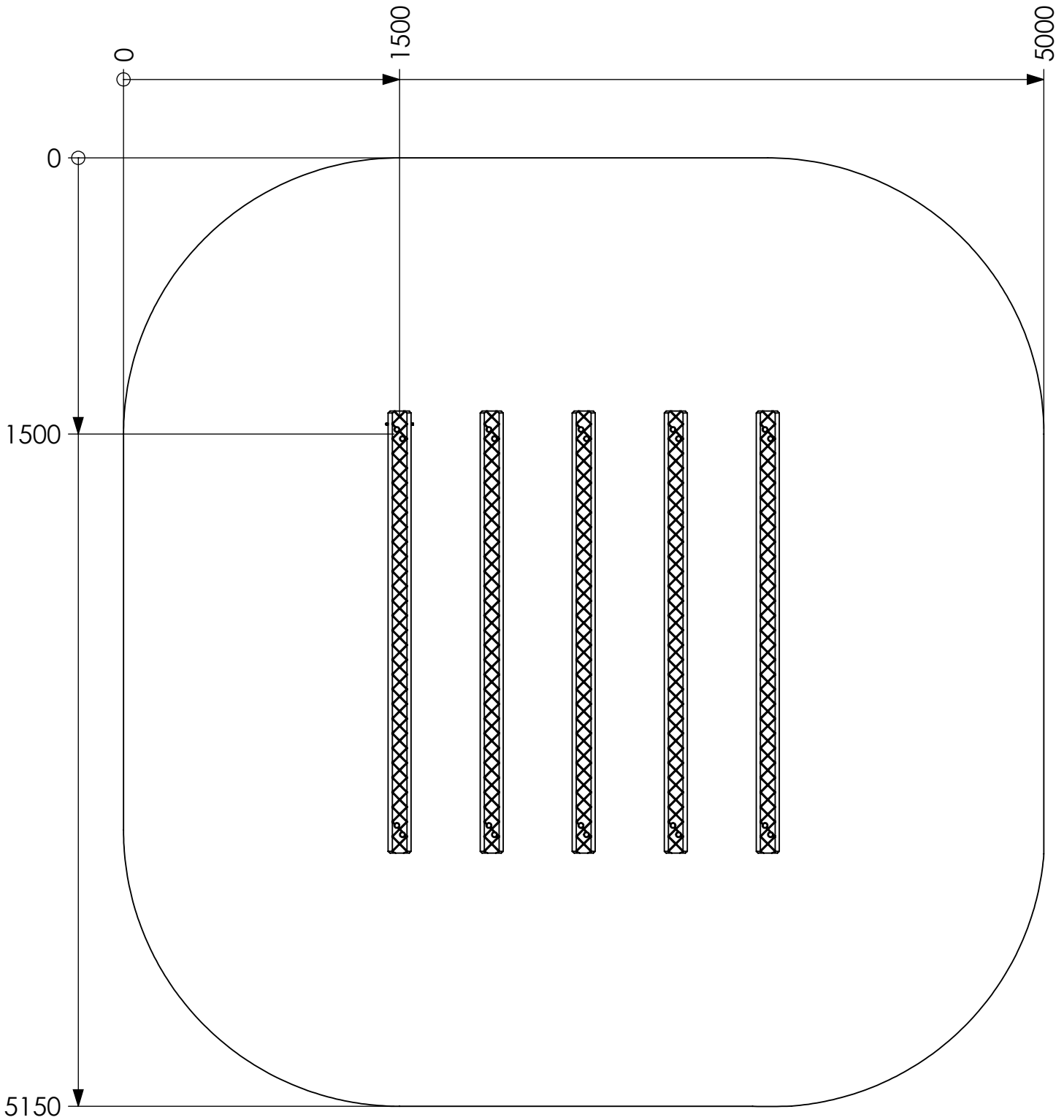


# Run and Leap

## Surfacing Detail



**FFH: 888mm**

**Surface Area: 23.82m<sup>2</sup>**

Please note this is a suggested layout only

This equipment for play areas is manufactured following the codes & practice outlined in the British and European standards and in so doing meets the requirements of BSEN 1176 (general safety and test methods).