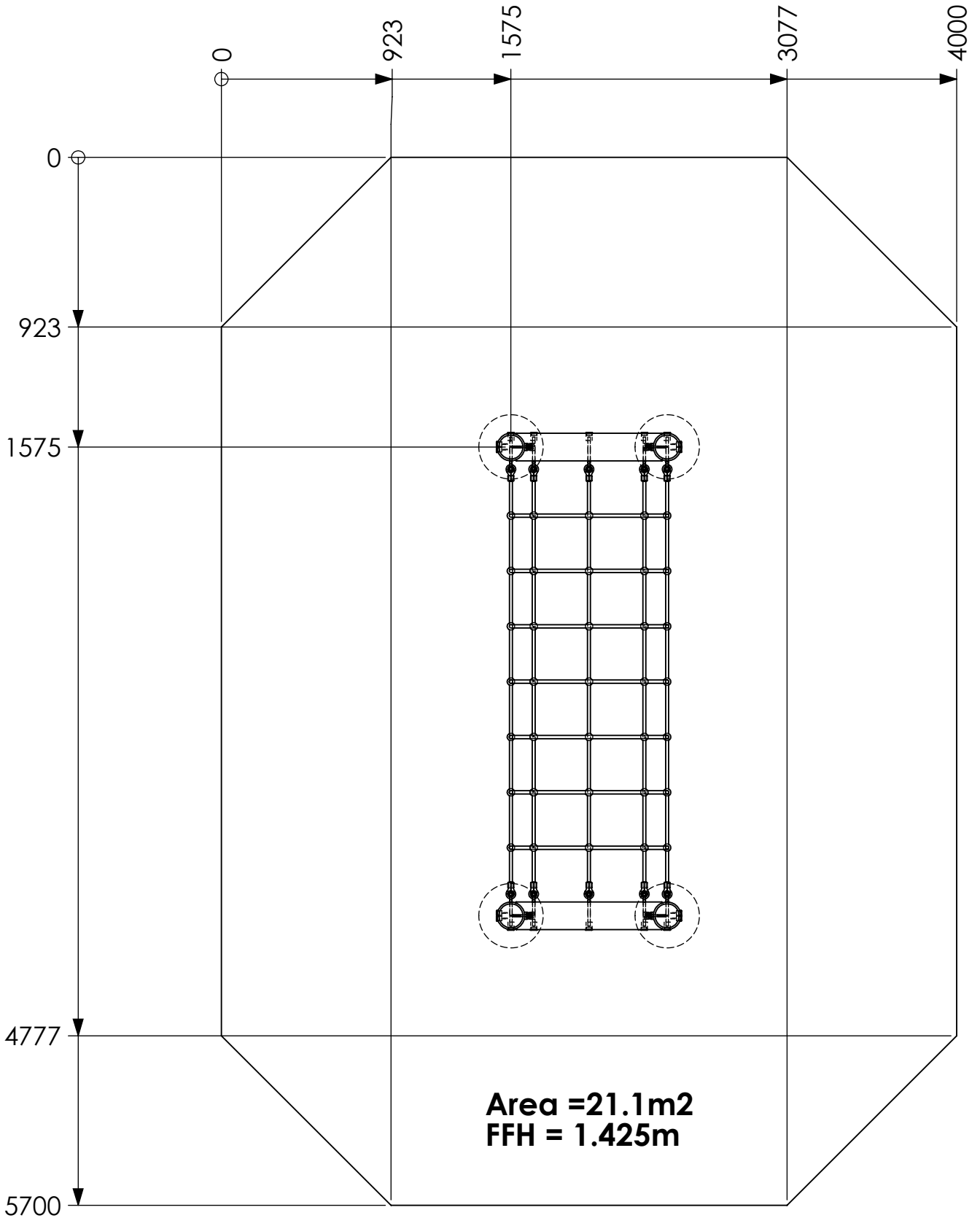


Rope Tunnel.

Surfacing Detail - Page 4 of 4



This equipment for play areas is manufactured following the codes & practice outlined in the British and European standards and in so doing meets the requirements of BSEN 1176 (general safety and test methods).