

Product Information

Ribbed Tunnel Net Bridge

BS EN 1176 - Designed to British & European Standards

MATERIALS

Panels - Two Colour High Density Polyethylene (HDPE)

Steel Legs - Mild steel legs with galvanised finish

Ribbed Tunnel - HDPE Heavy duty ribbed tunnel with a smooth inner

Stainless Steel Hand Rails - Stainless steel with dull polish finish

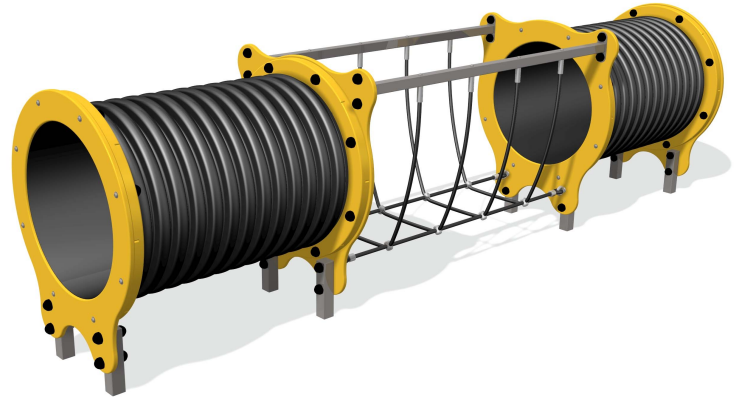
Rope - Steel core nylon braided rope with aluminium connectors

SUPPLY METHOD

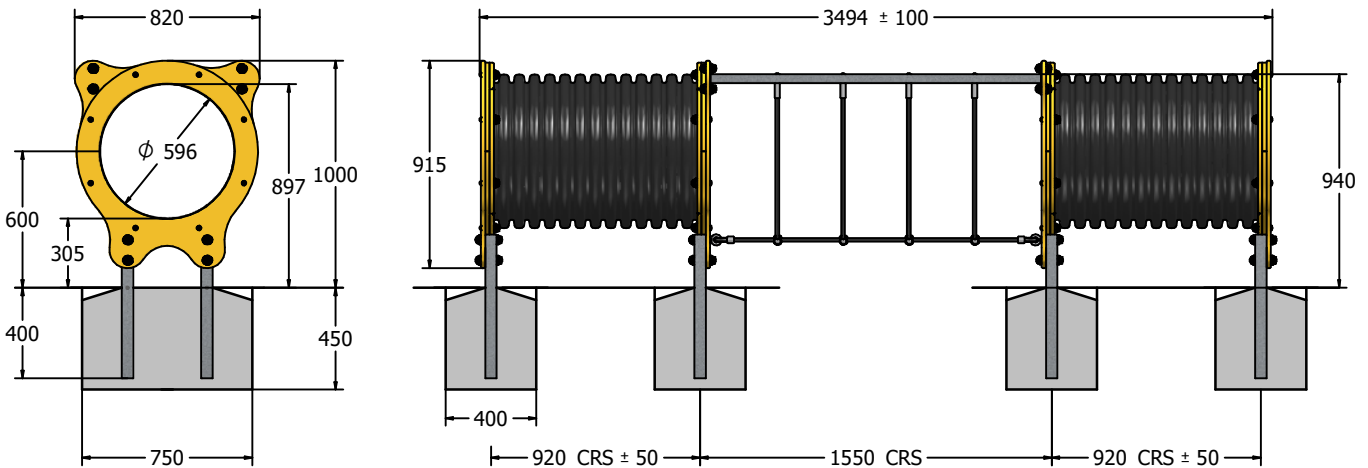
Tunnels - Fully assembled

Legs - Supplied with fixings needed to attach to tunnel

Net Bridge & Handrails - Supplied with fixings needed to attach to both tunnels



DIMENSIONS



TECHNICAL

Age Range:	2+ Years
Largest Part:	Tunnel Assembly - 820 x 915 x 3494 ± 100mm
Heaviest Part:	Tunnel Assembly 75kg Approx.
Total Weight:	190kg Approx.
Surfacing:	1.5m from the extents of the equipment with a critical fall height in excess of 940mm