

Product Information

Multi-Play Single Tower with Recycled Posts

BS EN 1176 - Designed to British & European Standards

MATERIALS

Panels - High Density Polyethylene (HDPE)

Posts - Recycled Plastic

Slide - Polyethylene

Pole - Stainless Steel with brushed finish

Rock Holds - HDPE with course texture finish

Step Treads - Recycled plastic

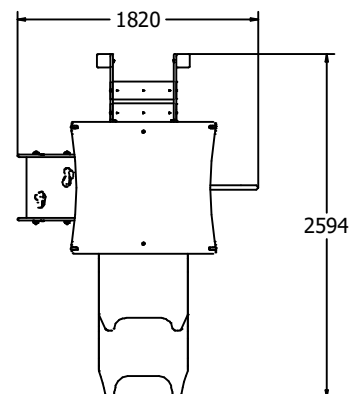
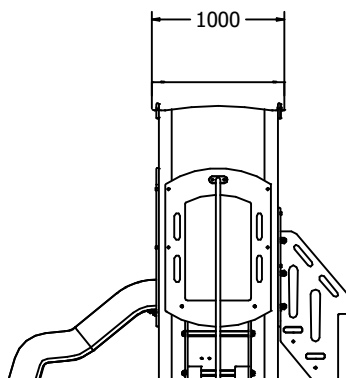
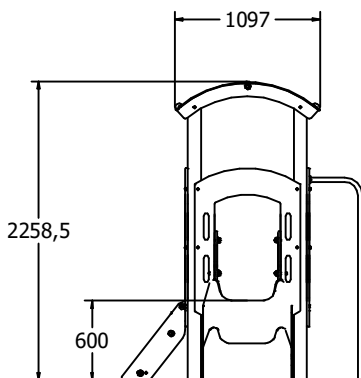
Decks - HDPE with a rubber grip top surface

SUPPLY METHOD

Components supplied separately except for the following preassembled items: **Stairs, Roof & Platform**



DIMENSIONS



TECHNICAL

Code	Description	Qty
FIMPCR	Multi-Play Curved Roof	1
FIMPFP600	Multi-Play Firemans Pole - 0.6m	1
FIMPMSL600	Multi-Play Moulded Slide - 0.6m	1
FIMPRP600	Multi-Play Rock Hold Ramp - 0.6m	1
FIMPSP	Multi-Play Square Platform	1
FIMPST600	Multi-Play Stairs - 0.6m	1
FPS0710-A	Multi-Play Recycled Post - 2600mm	4
FPS0711-A	Multi-Play Recycled Post - 900mm	2

Age Range:

Largest Part: FPS0710-A- 100 x 100 x 2600 mm

Heaviest Part: FIMPST600 - Approx. 28.5 kg

Total Weight: Approx. 285 kg

Free Height of Fall: 0.6m

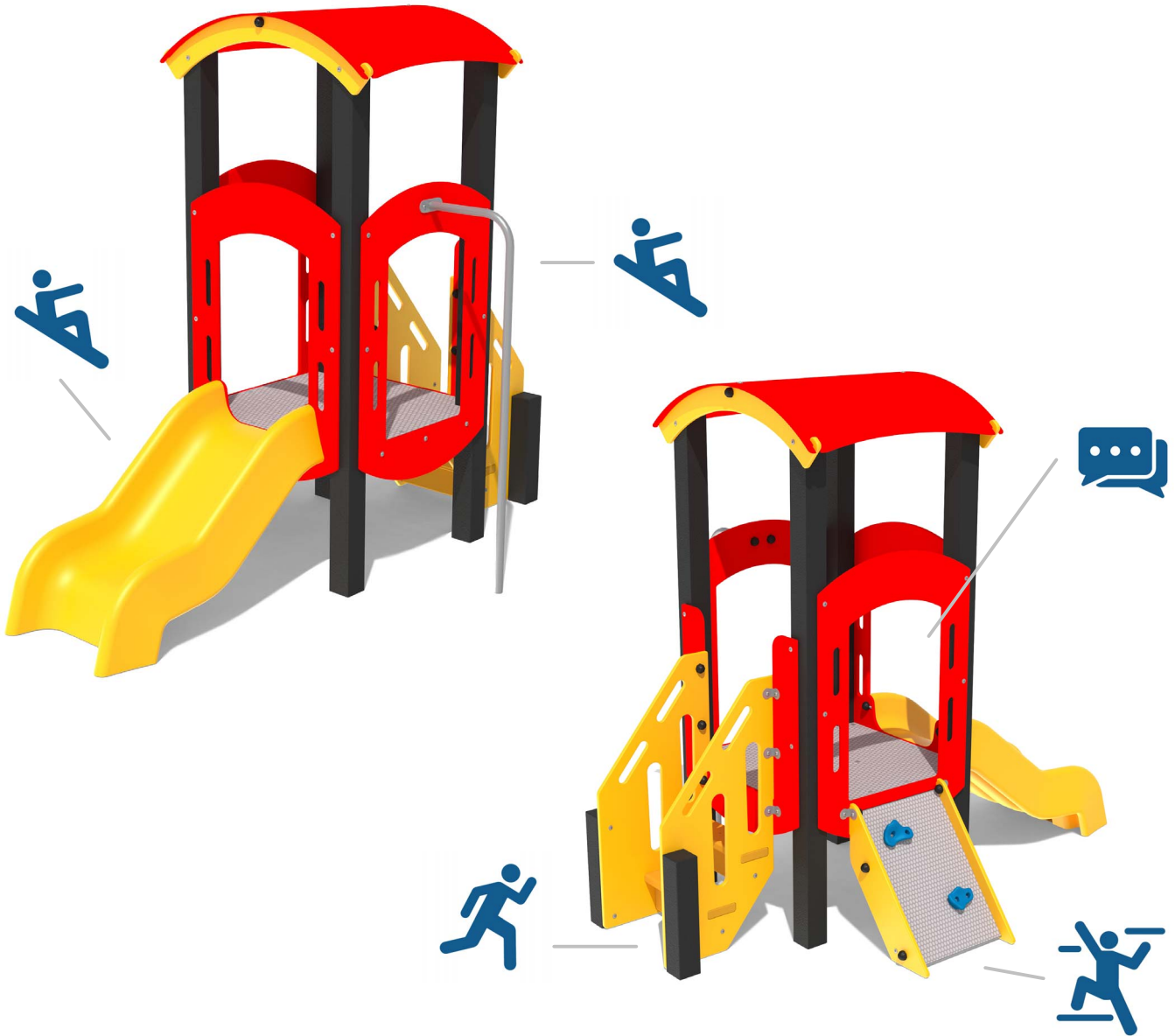
Free Space: 4.75 sqm

Surfacing Area : 13.35 sqm (1m from the extents of the equipment with a critical fall height in excess of 0.6m)

IMPORTANT: you must specify the colour option you require at the time of order if it is different from the colour listed/shown above, requirements are subject to availability at the time of order

Product Information

Multi-Play Single Tower with Recycled Posts



FEATURES



ACTIVE - Stairs



SLIDE - 0.6m plastic slide & fire pole



CLIMB - Rock hold ramp



SOCIAL - Space to interact and socialise

IMPORTANT: you must specify the colour option you require at the time of order if it is different from the colour listed/shown above, requirements are subject to availability at the time of order