

# Product Information

## Multi-Play Quad Tower with Recycled Posts

BS EN 1176 - Designed to British & European Standards

### MATERIALS

**Panels** - High Density Polyethylene (HDPE)

**Posts** - Recycled Plastic

**Slide/Bars** - Stainless Steel with brushed finish

**Rock Holds** - HDPE with coarse texture finish

**Rungs/Tunnel Supports** - Anodised aluminium

**Rope** - Rope sheathed with steel core and aluminium connectors

**Step Treads** - Recycled plastic

**Decks** - HDPE with a rubber grip top surface

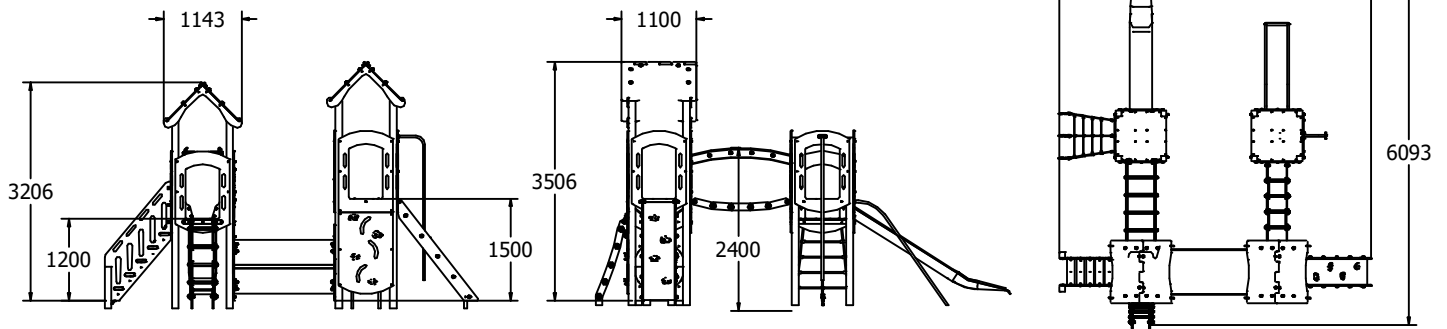
### SUPPLY METHOD

Components supplied separately except for the following preassembled items: **Tunnel, Stairs and 3x Bridges,**

**Decks, Ramp & Link Ladder**



### DIMENSIONS



### TECHNICAL

Code	Description	Qty
FIREPLAIN	Plain Apex Roof	2
FIMPCW1500	Multi-Play Climbing Wall - 1.5m	1
FIMPDBS1500	Multi-Play Dual Bar Slide - 1.5m	1
FIMPFP1500	Multi-Play Firemans Pole - 1.5m	1
FIMPIP	Multi-Play Infill Panel	2
FIMPLLB	Multi-Play Link Ladder Bridge	1
FIMPMB	Multi-Play Monkey Bars	1
FIMPRP1500	Multi-Play Rock Hold Ramp - 1.5m	1
FIMPSLB	Multi-Play Sloping Bridge	1
FIMPSLL1200	Multi-Play Sloping Link Ladder - 1.2m	1
FIMPSN1200	Multi-Play Scramble Net - 1.2m	1
FIMPSP	Multi-Play Square Platform	4
FIMPSSSL1200	Multi-Play Stainless Steel Slide - 1.2m	1

Code	Description	Qty
FIMPST1200	Multi-Play Stairs - 1.2m	1
FIMPTU	Multi-Play Tunnel Underpass	1
FPS0710-A	Multi-Play Recycled Post - 2600mm Long	4
FPS0711-A	Multi-Play Recycled Post - 900mm Long	2
FPS0710-A	Multi-Play Recycled Post - 2800mm Long	4
FPS0712-A	Multi-Play Recycled Post - 3100mm Long	4
FPS0714-A	Multi-Play Recycled Post - 3400mm Long	4

**Age Range:** 4+ Years  
**Largest Part:** FPL0714-A - 100 x 100 x 3400mm  
**Heaviest Part:** FIMPTU - 63 kg  
**Total Weight:** Approx. 980 kg  
**Free Height of Fall:** 2.4m  
**Free Space:** 11.8 sqm  
**Surfacing Area:** 53.2 sqm (1.5m from the extents of the equipment with a critical fall height in excess of 1.5m) (1m from end of slide)

**IMPORTANT:** you must specify the colour option you require at the time of order if it is different from the colour listed/shown above, requirements are subject to availability at the time of order

# Product Information

## Multi-Play Quad Tower with Recycled Posts



### FEATURES



**TUNNEL** - HDPE tunnel underpass



**CLIMB** - Scramble net, ramp, climbing wall & ladder



**BALANCE** - Link ladder & ladder bridge



**SOCIAL** - Space to interact and socialise



**ACTIVE** - Monkey bars, sloping bridge & stairs



**SLIDE** - 1.2m Stainless Steel slide, dual barslide & fire pole

IMPORTANT: you must specify the colour option you require at the time of order if it is different from the colour listed/shown above, requirements are subject to availability at the time of order