

Product Information

Multi-Play Double Tower with Recycled Posts

BS EN 1176 - Designed to British & European Standards

MATERIALS

Panels - High Density Polyethylene (HDPE)

Posts - Recycled Plastic

Slide - Polyethylene

Pole - Stainless Steel with brushed finish

Rock Holds - HDPE with coarse texture finish

Rope - Steel core with nylon sheath and aluminium connectors

Step Treads - Recycled plastic

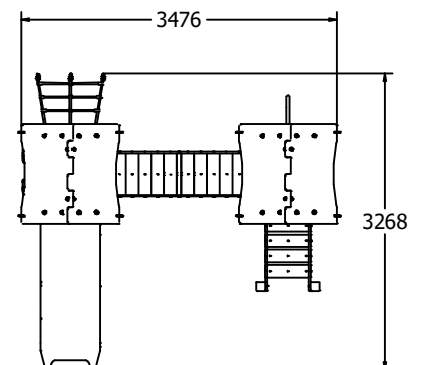
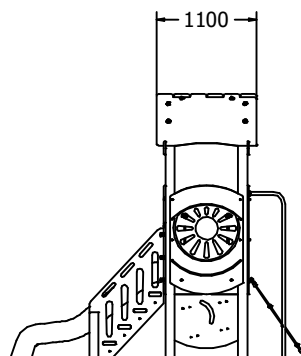
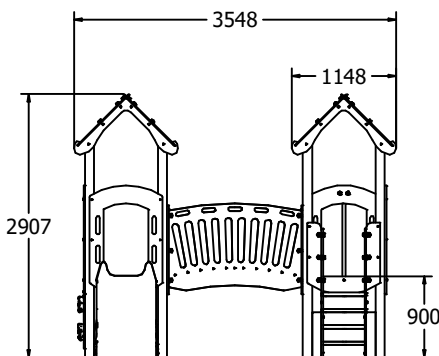
Decks - HDPE with a rubber grip top surface

SUPPLY METHOD

Components supplied separately except for the following preassembled items: **Stairs, Bridge & Platform**



DIMENSIONS



TECHNICAL

Code	Description	Qty
FIRFLAIN	Plain Apex Roof	2
FIMPB	Multi-Play Bridge	1
FIMPCW900	Multi-Play Climbing Wall - 0.9m	1
FIMPPF900	Multi-Play Firemans Pole - 0.9m	1
FIMPIP	Multi-Play Infill Panel	1
FIMPMSL900	Multi-Play Moulded Slide - 0.9m	1
FIMPSN900	Multi-Play Scramble Net - 0.9m	1
FIMSP	Multi-Play Square Platform	2
FIMPST900	Multi-Play Stairs - 0.9m	1
FPS0711-A	Multi-Play Recycled Post - 900mm Long	2
FPS0713-A	Multi-Play Recycled Post - 2800mm Long	8

Age Range:

Largest Part:

Heaviest Part:

Total Weight:

Free Height of Fall:

Free Space:

Surfacing Area :

4+ Years

FPS0713-A - 100 x 100 x 2800mm

FIMPB - 70.5 kg

Approx. 510 kg

0.9m

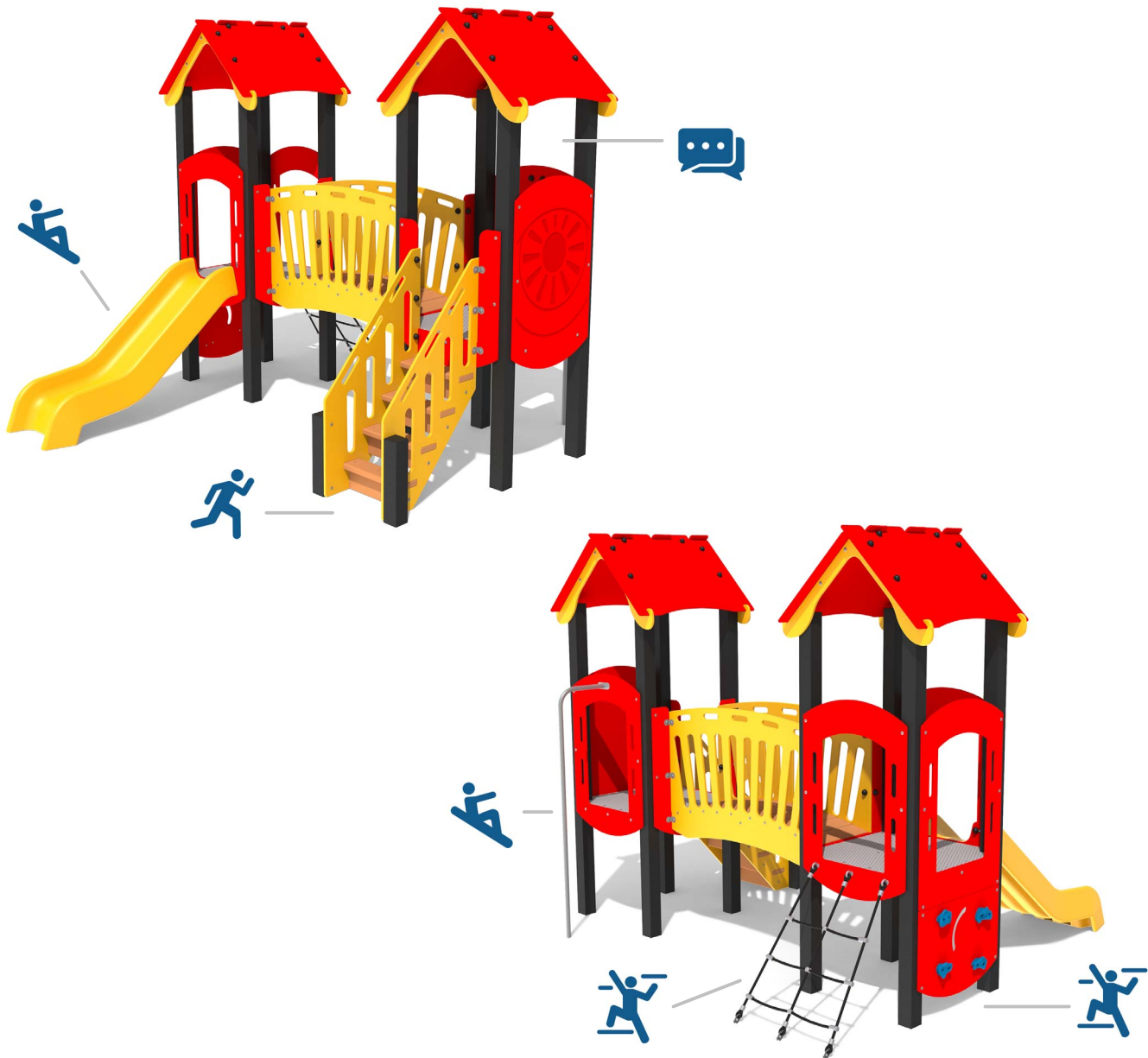
5.5 sqm

30.3 sqm (1.5m from the extents of the equipment with a critical fall height in excess of 1.2m) (2m from end of slide)

IMPORTANT: you must specify the colour option you require at the time of order if it is different from the colour listed/shown above, requirements are subject to availability at the time of order

Product Information

Multi-Play Double Tower with Recycled Posts



FEATURES



ACTIVE - Stairs



SLIDE - 0.9m plastic slide & fire pole



CLIMB - Scramble net & climbing wall



SOCIAL - Space to interact and socialise

IMPORTANT: you must specify the colour option you require at the time of order if it is different from the colour listed/shown above, requirements are subject to availability at the time of order