

Product Information

Virtuoso Large Melody Wheel Tree with Alu Post

BS EN 1176 - Designed to British & European Standards

MATERIALS

Panels - Two Colour High Density Polyethylene (HDPE)

Post - Extruded aluminium post with powder coat finish

Melody Wheel - High Density Polyethylene (HDPE)

SUPPLY METHOD

Fully Assembled

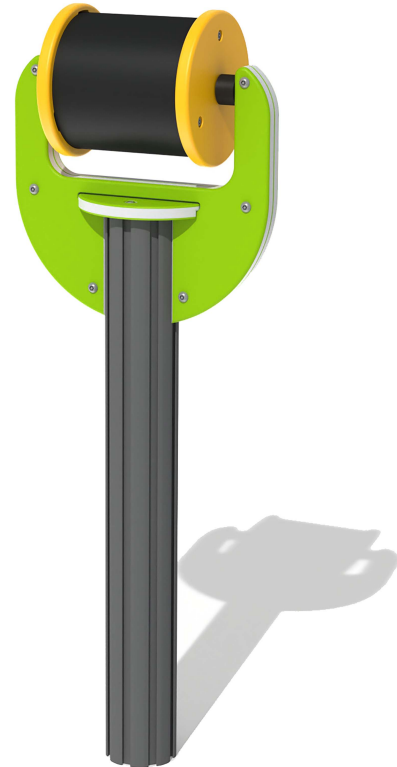
FEATURES



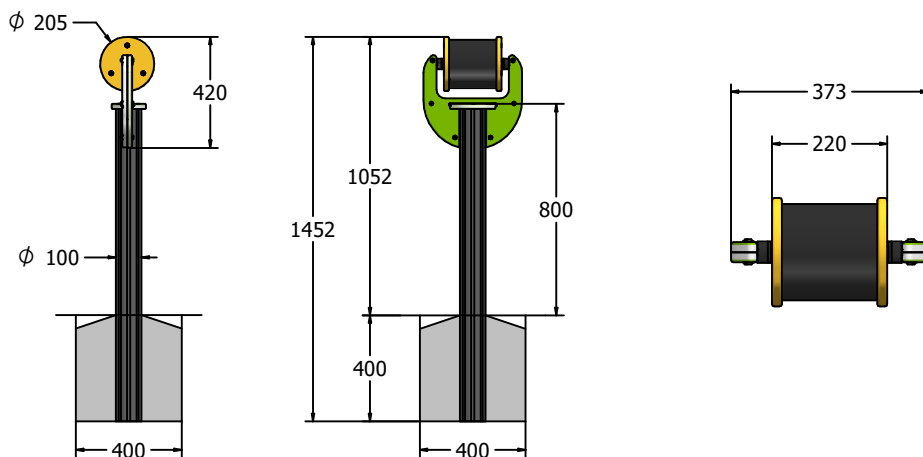
MUSICAL - Hidden cam strikes chimes inside



ROTATE - Spin at various speeds



DIMENSIONS



TECHNICAL

Age Range: 2+ Years
Largest Part: Full Assembly: 1452 x 373 x 205mm
Heaviest Part: Full Assembly: 10kg
Total Weight: 10kg
Surfacing: N/A