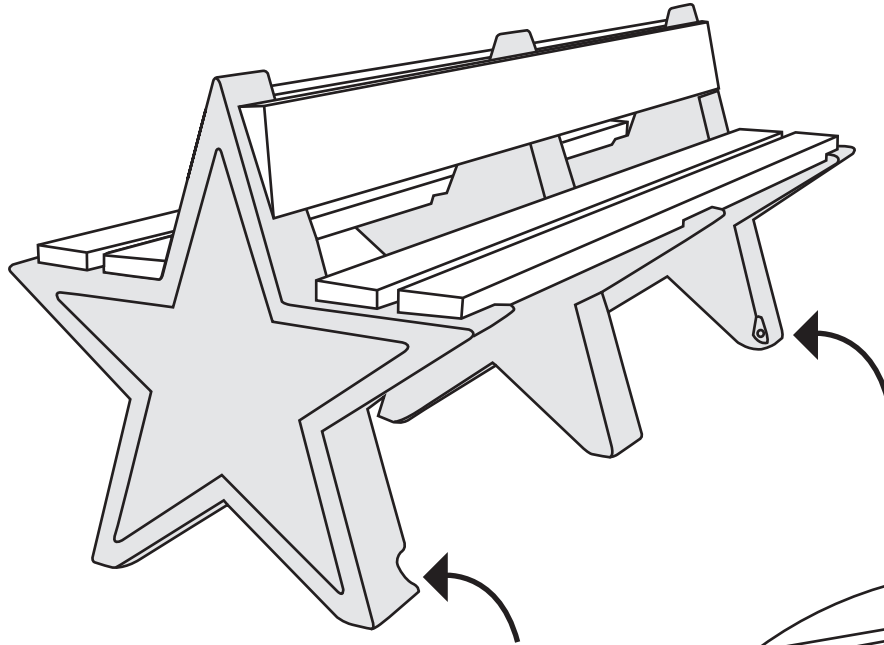


STAR BENCH

**YOUR BENCH IS SUPPLIED ASSEMBLED WITH:
FOUR GROUND FIXING BOLTS**

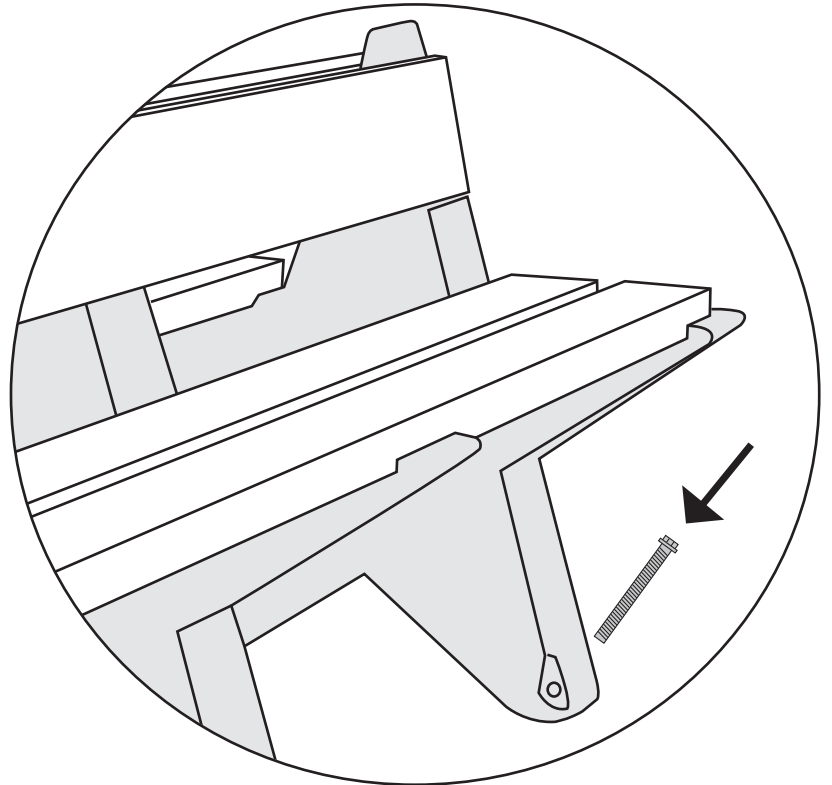
TOOLS REQUIRED:
17mm Spanner
10mm Masonry Bit



1. Use a 10mm masonry drill bit to drill a hole in the ground through the holes in the star ends to a depth of 130mm.

2. Screw the bolts into the holes through the star ends using a 17mm spanner.

3. Tighten with spanner to secure your Bench to the ground.



Your Bench is now secure and ready for use!!