

Installation Instructions

Surface Fixed

Harmony Flower
Page 1 of 2



Instrument
Components:

Metric Conversion:
1345mm/ 52 61/64"
1095mm/ 43 7/64"
945mm/ 37 13/64"
1.5m/ 59"



Weight of heaviest part 6kg (Surface Plate)

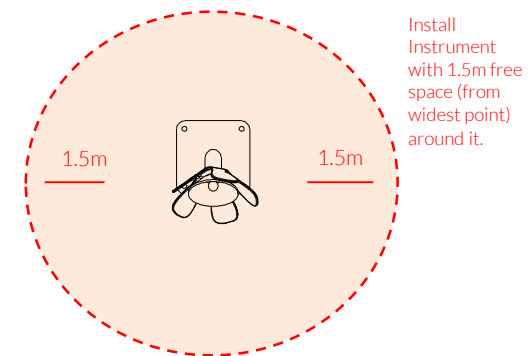
1. Unpack ground fixing leg 1no.
2. Lay packaging out on floor or assemble on non-abrasive surface to prevent marking of polished stainless steel.
3. Align holes on leg to holes on surface fixing plate (opposite end to polished domes) and secure in place using 1no. M10x 40mm Screw and Barrel Nut provided. Tools required TX 45 Driver Bits)

4. Invert assembled frame so Bells are at the top.

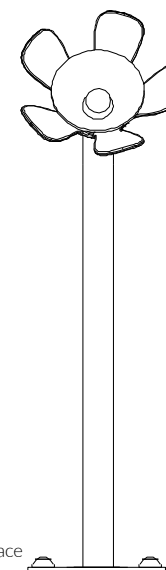
5. **Locate Flower** in desired location and mark holes to fix to surface.

6. Fix to Surface using recommended ground anchors (**Ground Anchors are not supplied**)

7. Make sure all fixings are covered and secure using cover caps provided



Large 1345mm
Medium 1095mm
Small 945mm
from plate



Small Beaters X1

Surface Fix Components:

- M10x40 Security Screw x1
- M10 Barrel Nut x1
- 2 Part Cover Cap x4

Ground Anchors not supplied

Spares available from percussionplay.com or from your local distributor

9 Kg

Tools:



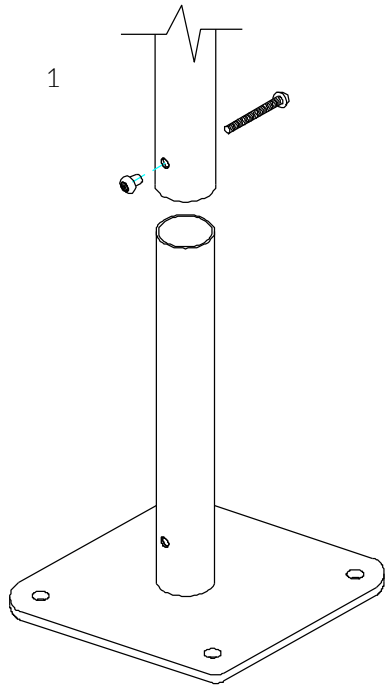
x1
TX 45 Driver Bit

Surface Fixed

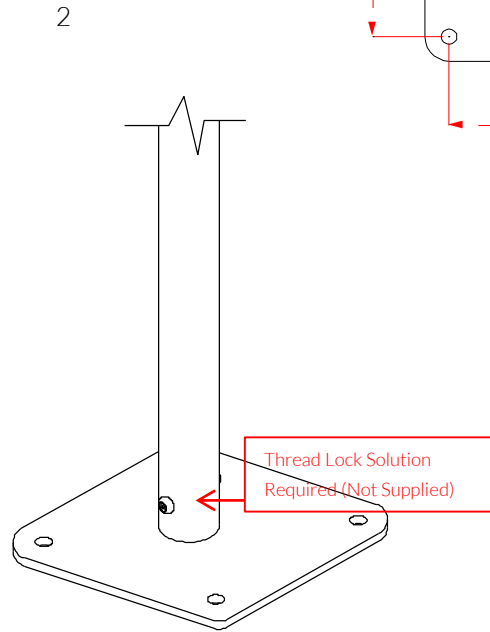
Harmony Flower
Page 2 of 2



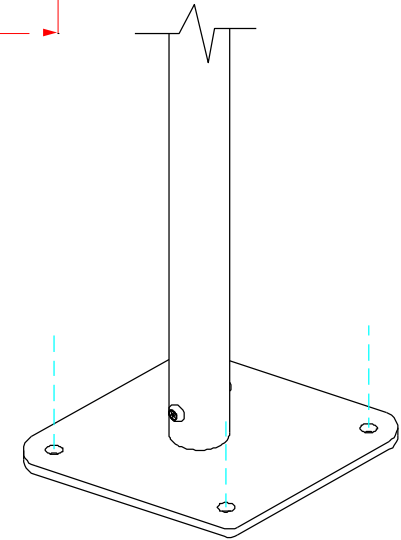
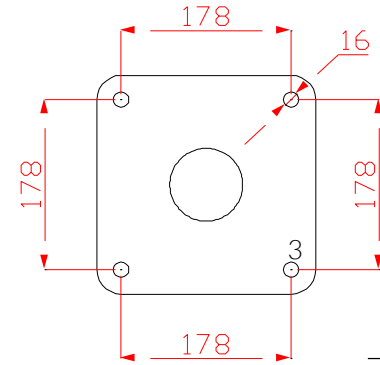
Instrument
Components:



1
Locate the Surface fix Plate into the leg of the instrument.




2
Fix instrument to Surface fix plate using M10 bolt and Barrel Nut and use **thread locking solution** to prevent fixings working loose.



3
Fix Surface Plate to the ground surface **Ground Anchors Not provided** cover fixings with caps provided

Thread Lock Solution
Required



Small Beaters X1

Surface Fix Components:



x1



x1



x4

Ground Anchors
not supplied

Spares available from percussionplay.com or from your local distributor

30 Kg