

# Installation Instructions

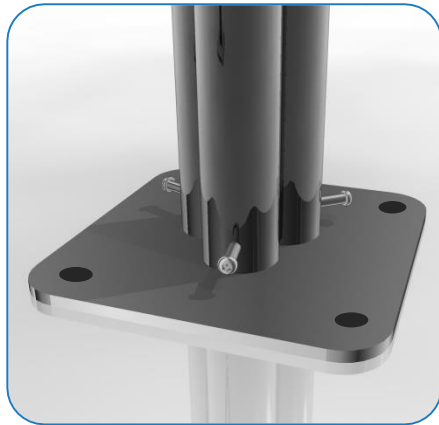
## Surface Fixed

Harmony Bells  
Page 1 of 2



Instrument Components:

Metric Conversion:  
1650mm/ 64 61/64"  
1.5m/ 59"



Weight of heaviest part **8kg** (Large Bell)

1. Unpack ground fixing legs  
3no.

2. Lay packaging out on floor or assemble on non-abrasive surface to prevent marking of polished stainless steel.

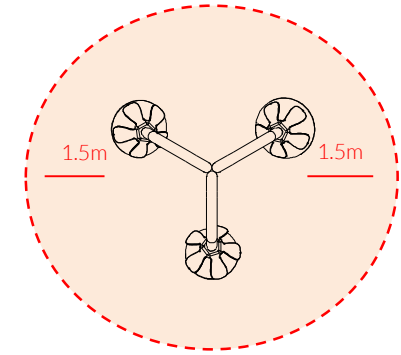
3. Align holes on legs to holes on surface fixing (opposite end to polished domes) and secure in place using 3no. M10 x 30mm Screws provided. Tools required TX 45 Driver Bit)

4. Invert assembled frame so Bells are at the top.

5. **Locate Bells** in desired location and mark holes to fix to desired surface.

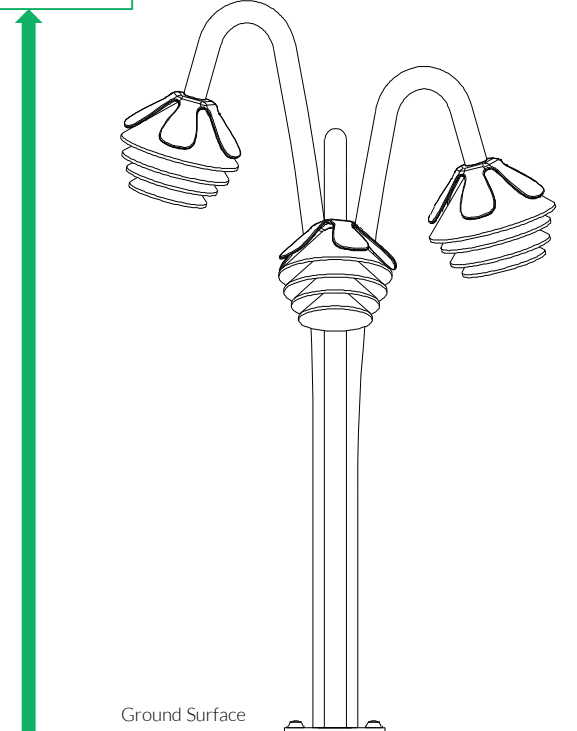
6. Fix to Surface using recommended ground anchors (**Ground Anchors are not supplied**)

7. Make sure all fixings are covered and secure using cover caps provided



Install Instrument with 1.5m free space (from widest point) around it.

1650mm from Plate



Small Beaters X3

Surface Fix Components:




**Ground Anchors not supplied**

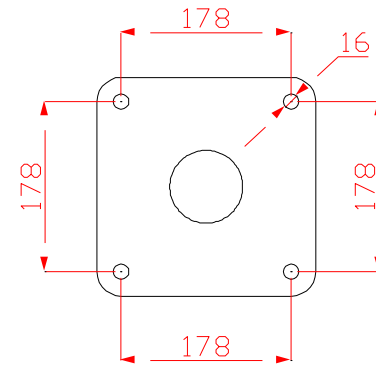
Spares available from [percussionplay.com](http://percussionplay.com) or from your local distributor

30 Kg

Tools:



x1  
TX 45 Driver Bit



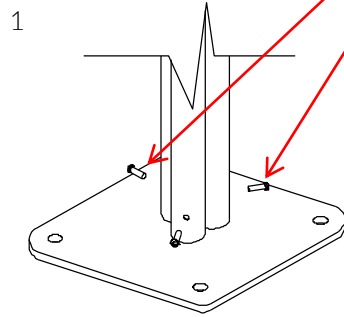
## Surface Fixed

Harmony Bells  
Page 2 of 2

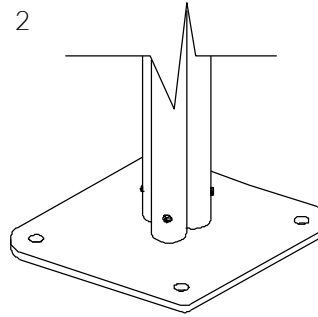


Instrument  
Components:

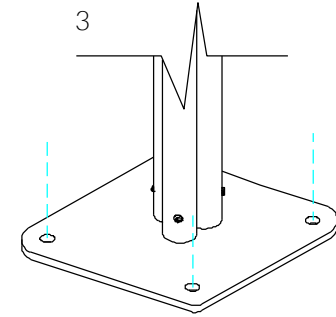
Thread Lock Solution  
Required



1  
Locate the Surface fix Plate into the leg of the instrument.




2  
Fix instrument to Surface fix plate using M10 Screws and use **thread locking solution** to prevent fixings working loose.



3  
Fix Surface Plate to the ground surface **Ground Anchors Not provided** cover fixings with caps provided

Thread Lock Solution  
Required



Small Beaters X3

Surface Fix Components:



x3  
M10x30 Security Screw



x4  
2 Part Cover Cap

Ground Anchors  
not supplied

Spares available from [percussionplay.com](http://percussionplay.com) or from your local distributor

30 Kg