

Product Information

Eco-Flat Chimes

BS EN 1176 - Designed to British & European Standards

MATERIALS

- Panels** - Two Colour High Density Polyethylene (HDPE)
- Posts** - 100% recycled plastic with a heavy textured finish
- Chimes** - Multi-coloured anodised aluminium flat chimes

SUPPLY METHOD

- Panel** - Assembled
- Posts** - Includes post caps
- Beaters** - Assembled

FEATURES



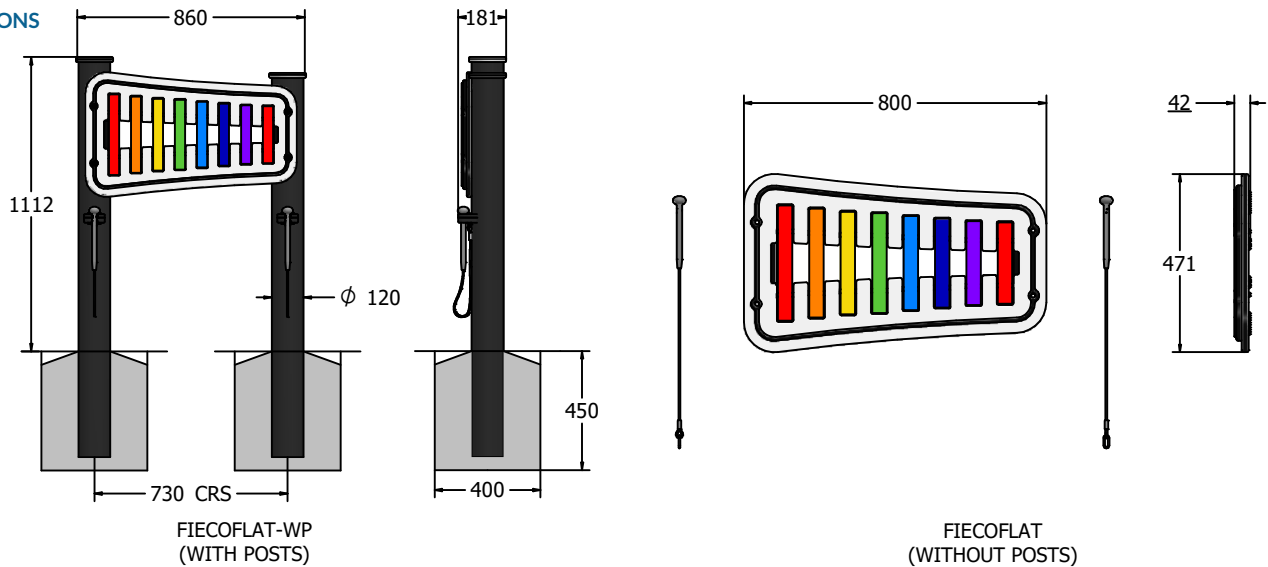
INCLUSIVE - Chimes positioned at easily accessible height



MUSICAL - Set of 8 musically tuned chimes



DIMENSIONS



TECHNICAL

Age Range: 2+ Years
Largest Part: FIECOFLAT-WP - 1562 x 860 x 181mm
Heaviest Part: Panel Assembly - 14kg Approx.
Total Weight: 36.5kg Approx.
Surfacing: N/A

Age Range: 2+ Years
Largest Part: FIECOFLAT - 471 x 800 x 42mm
Total Weight: 14kg Approx.
Surfacing: N/A