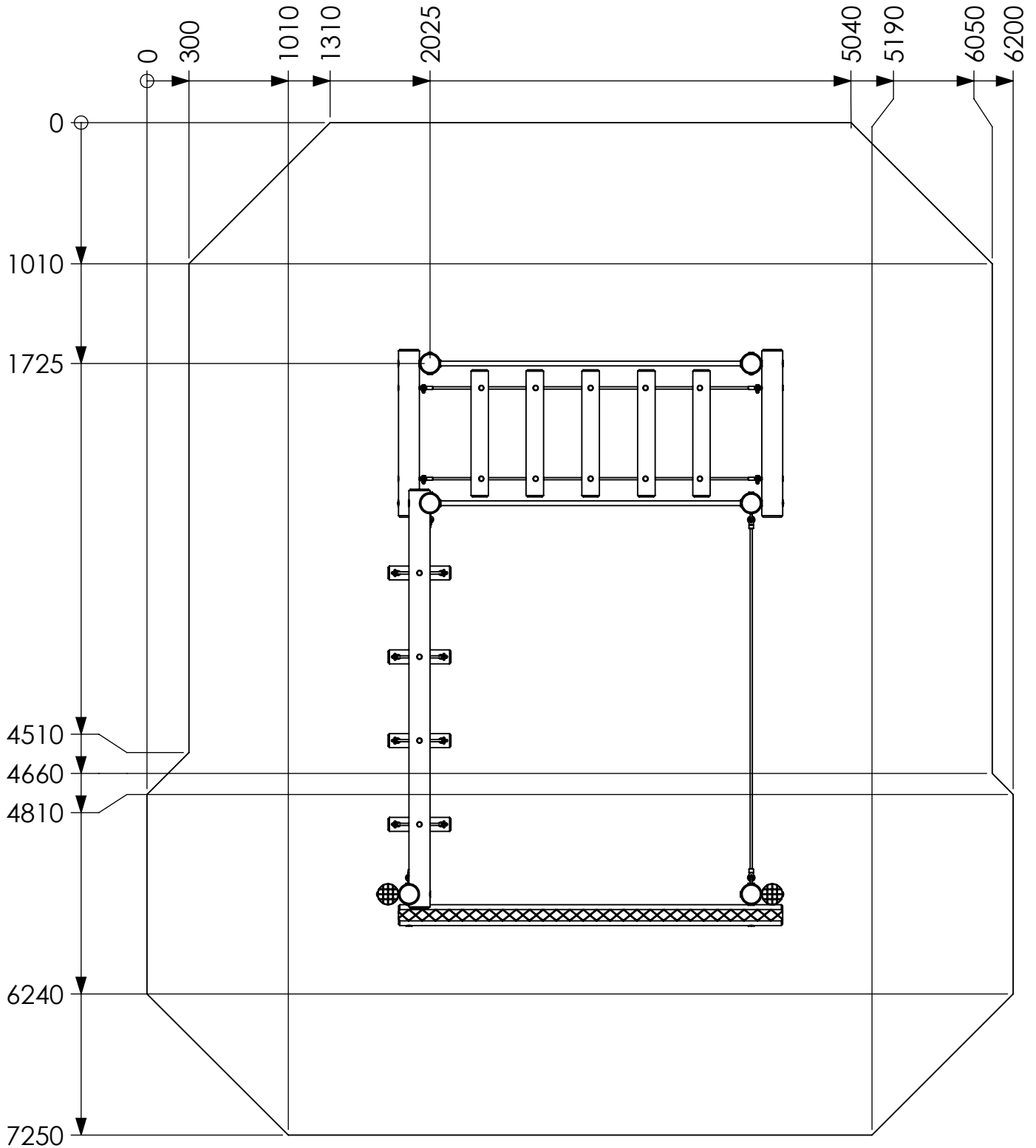


## Surfacing Detail



**FFH: 0.55m**  
**Area: 40.7m<sup>2</sup>**

This equipment for play areas is manufactured following the codes & practice outlined in the British and European standards and in so doing meets the requirements of BSEN 1176 (general safety and test methods).