

# Product Information

## Eco Chimes

BS EN 1176 - Designed to British & European Standards

### MATERIALS

**Panels** - Two Colour High Density Polyethylene (HDPE)

**Post** - 100% recycled plastic with a heavy textured finish

**Chimes** - Multi-coloured anodised aluminium tube chimes

### SUPPLY METHOD

**Panel** - Assembled

**Posts** - T-slot stops & post caps

**Beaters** - Assembled

### FEATURES



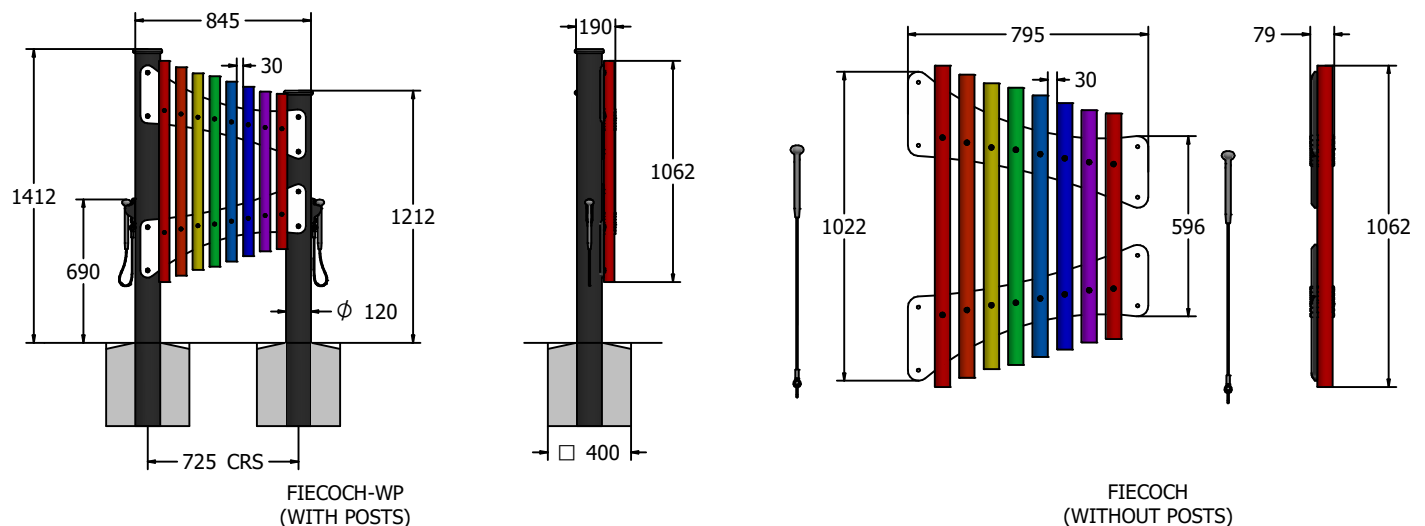
**INCLUSIVE** - Chimes positioned at easily accessible height



**MUSICAL** - Set of 8 musically tuned chimes



### DIMENSIONS



### TECHNICAL

**Age Range:** 2+ Years  
**Largest Part:** FIECOCH-WP - 1862 x 870 x 194mm  
**Heaviest Part:** Panel Assembly - 15.5kg Approx.  
**Total Weight:** 47kg Approx.  
**Surfacing:** N/A

**Age Range:** 2+ Years  
**Largest Part:** FIECOCH - 1036 x 820 x 83mm  
**Total Weight:** 15.5kg Approx.  
**Surfacing:** N/A