

Product Information

Eco-Tongue Drum

BS EN 1176 - Designed to British & European Standards

MATERIALS

Panel - Two Colour High Density Polyethylene (HDPE)

Post - 100% recycled plastic with a heavy textured finish

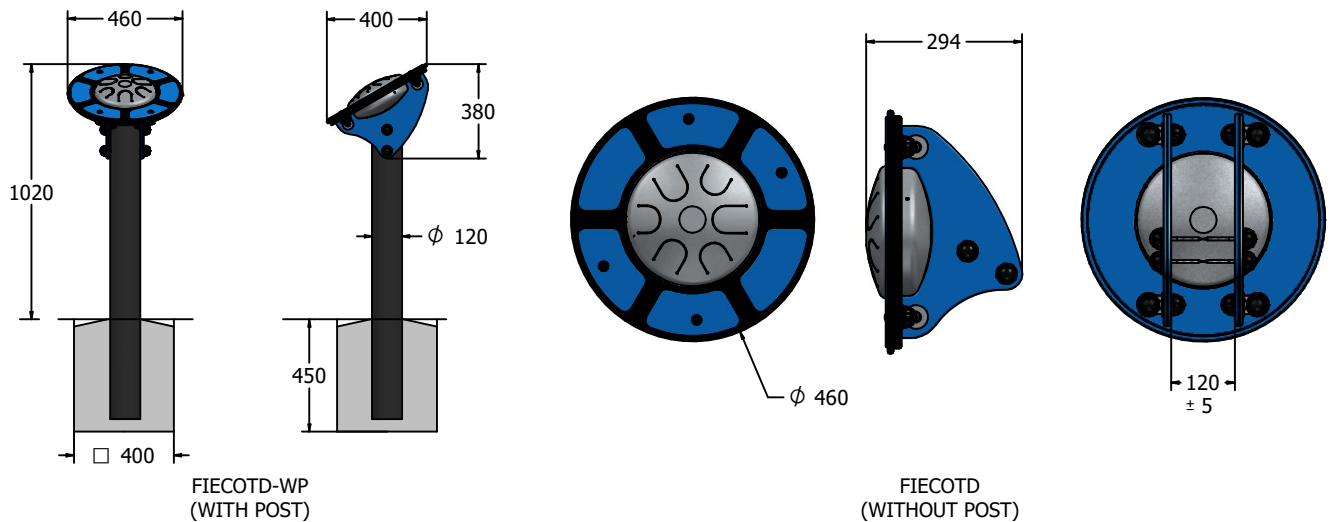
Tongue Drum - Stainless steel with brushed finish

SUPPLY METHOD

Panel & Post - Fully assembled



DIMENSIONS



TECHNICAL

Age Range: 2+ Years
Largest Part: FIECOTD-WP - 1470 x 460 x 400mm
Heaviest Part: Head Assembly - 6kg
Total Weight: 17Kg
Surfacing: N/A

Age Range: 2+ Years
Largest Part: FIECOTD - O460 x 294mm
Total Weight: 6kg
Surfacing: N/A