

# Product Information

## Eco Tall Chimes

BS EN 1176 - Designed to British & European Standards

### MATERIALS

**Panels** - Two Colour High Density Polyethylene (HDPE)

**Post** - 100% recycled plastic with a heavy textured finish

**Chimes** - Multi-coloured anodised aluminium tube chimes

### SUPPLY METHOD

**Panel** - Assembled

**Posts** - T-slot stops & post caps

**Beaters** - Assembled

### FEATURES



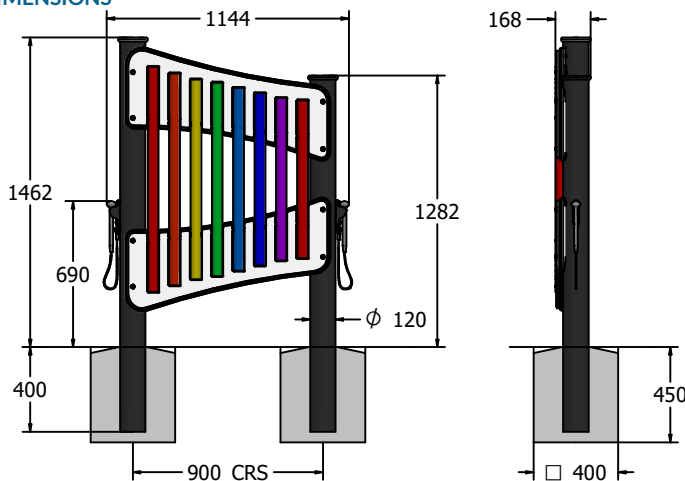
**INCLUSIVE** - Chimes positioned at easily accessible height



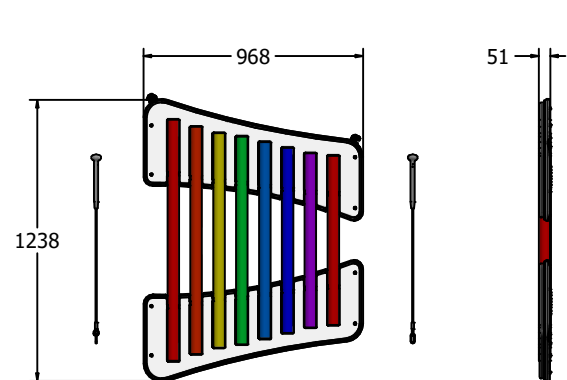
**MUSICAL** - Set of 8 musically tuned chimes



### DIMENSIONS



FIECOTALL-WP  
(WITH POSTS)



FIECOTALL  
(WITHOUT POSTS)

### TECHNICAL

**Age Range:** 2+ Years  
**Largest Part:** FIECOTALL-WP - 1862 x 1142 x 168mm  
**Heaviest Part:** Panel Assembly - 18.5kg Approx.  
**Total Weight:** 52kg Approx.  
**Surfacing:** N/A

**Age Range:** 2+ Years  
**Largest Part:** FIECOTALL - 1238 x 968 x 51mm  
**Total Weight:** 18.5kg Approx.  
**Surfacing:** N/A