

Product Information

Eco-Rain Wheel

BS EN 1176 - Designed to British & European Standards

MATERIALS

Panels - Two Colour High Density Polyethylene (HDPE)

Post - 100% recycled plastic with a heavy textured finish

Mesh - Stainless Steel

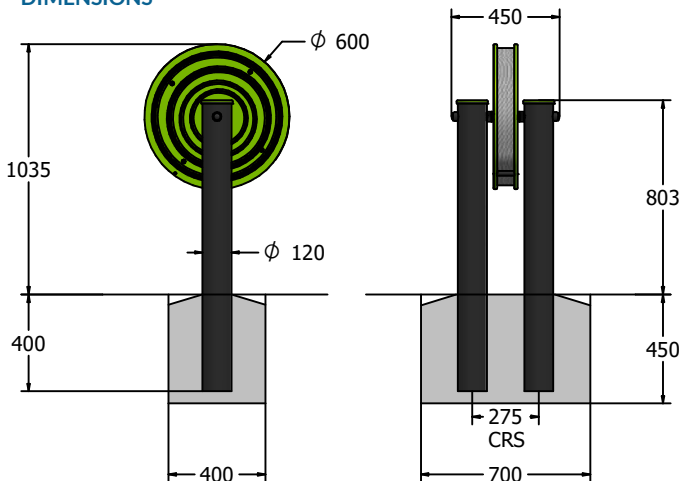
SUPPLY METHOD

Wheel - Assembled

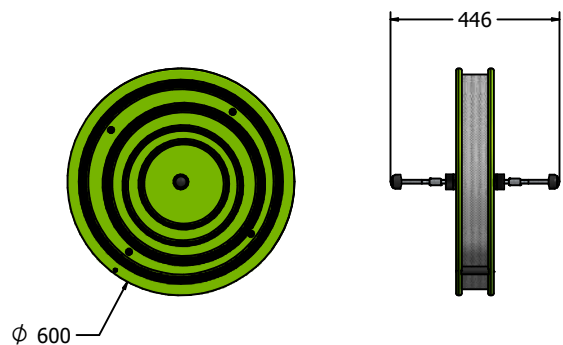
Posts - Assembled with post caps



DIMENSIONS



FIECORW-WP
(WITH POSTS)



FIECORW
(WITHOUT POSTS)

TECHNICAL

Age Range: 2+ Years
Largest Part: FIECORW-WP - 1435 x 600 x 450mm
Heaviest Part: Wheel Assembly - 10kg Approx.
Total Weight: 20.5kg Approx.
Surfacing: N/A

Age Range: 2+ Years
Largest Part: FIECORW - 600 x 446mm
Total Weight: 10kg Approx.