

Product Information

Eco-Flat Chimes - Low

BS EN 1176 - Designed to British & European Standards

MATERIALS

Panels - Two Colour High Density Polyethylene (HDPE)

Posts - 100% recycled plastic with a heavy textured finish

Chimes - Multi-coloured anodised aluminium flat chimes

SUPPLY METHOD

Panel - Assembled

Posts - Includes post caps

Beaters - Assembled

FEATURES



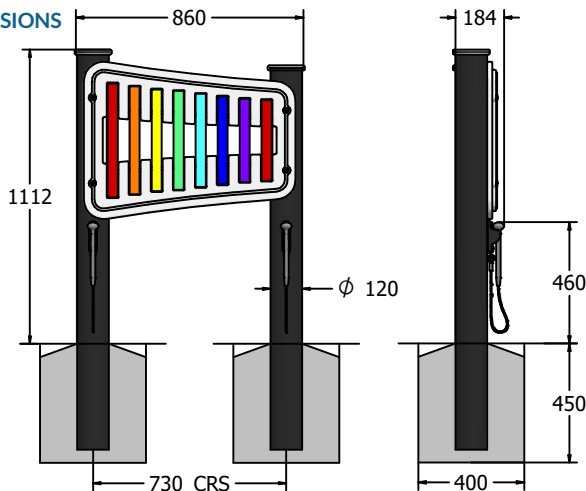
INCLUSIVE - Chimes positioned at easily accessible height



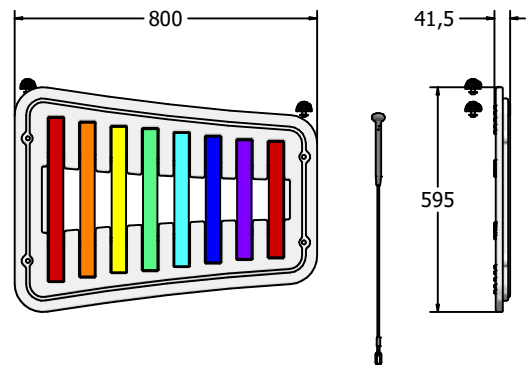
MUSICAL - Set of 8 musically tuned chimes



DIMENSIONS



FIECOFLATLOW-WP
(WITH POSTS)



FIECOFLATLOW
(WITHOUT POSTS)

TECHNICAL

Age Range: 2+ Years
Largest Part: FIECOFLATLOW-WP - 1552 x 860 x 184mm
Heaviest Part: Panel Assembly - 11.5kg Approx.
Total Weight: 39kg Approx.
Surfacing: N/A

Age Range: 2+ Years
Largest Part: FIECOFLATLOW - 595 x 800 x 41.5mm
Total Weight: 11.5kg Approx.
Surfacing: N/A