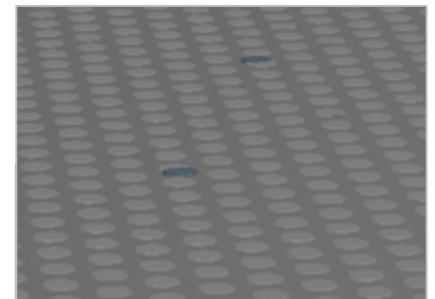
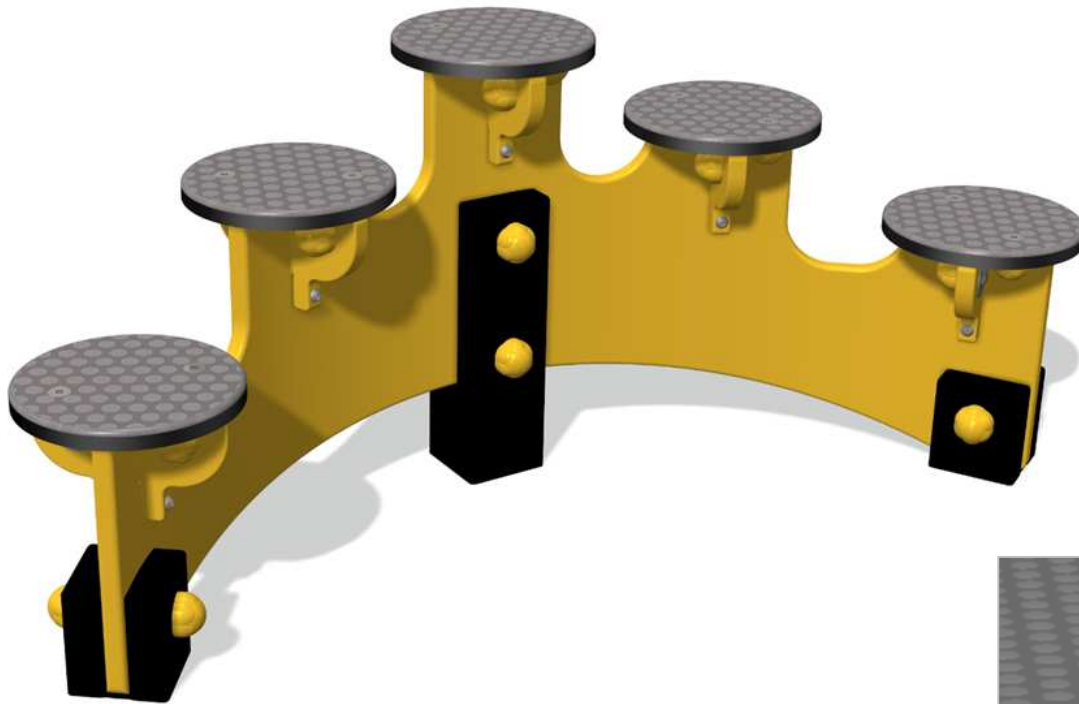
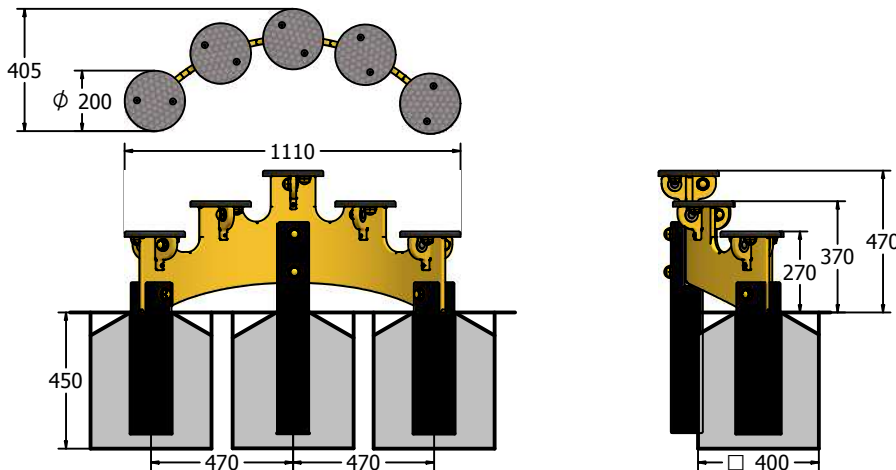


Product Information

Curved Stepping Stones



Anti-Slip Polydek Tread



Designed to
British & European
Standard BS EN 1176

Stepping Stone section pre-assembled
for easy installation.

Age Range: 4+ Years
Largest Part: Stepping Stone Assembly 1110 x 470 x 405mm
Heaviest Part: Stepping Stone Assembly Approx. 30kg
Total Weight: Approx. 30kg
Surfacing : N/A

Minimum Inspection Schedule	
Type	Frequency
Visual	Every Month
Functionality	Every Month
Comprehensive	Every 6 Months

Material: **Single Colour Panel** - High Density Polyethylene (HDPE) with orange peel texture finish
Recycled Posts - Made from 100% recycled plastic with a heavy texture finish
LumbeRock Treads - Made from 100% recycled HDPE milk bottles with a wood grain finish on top face

Colour Choices: **Single Colour Panel** - Broad selection available, visit the website below for further details
LumbeRock - Cedar as standard