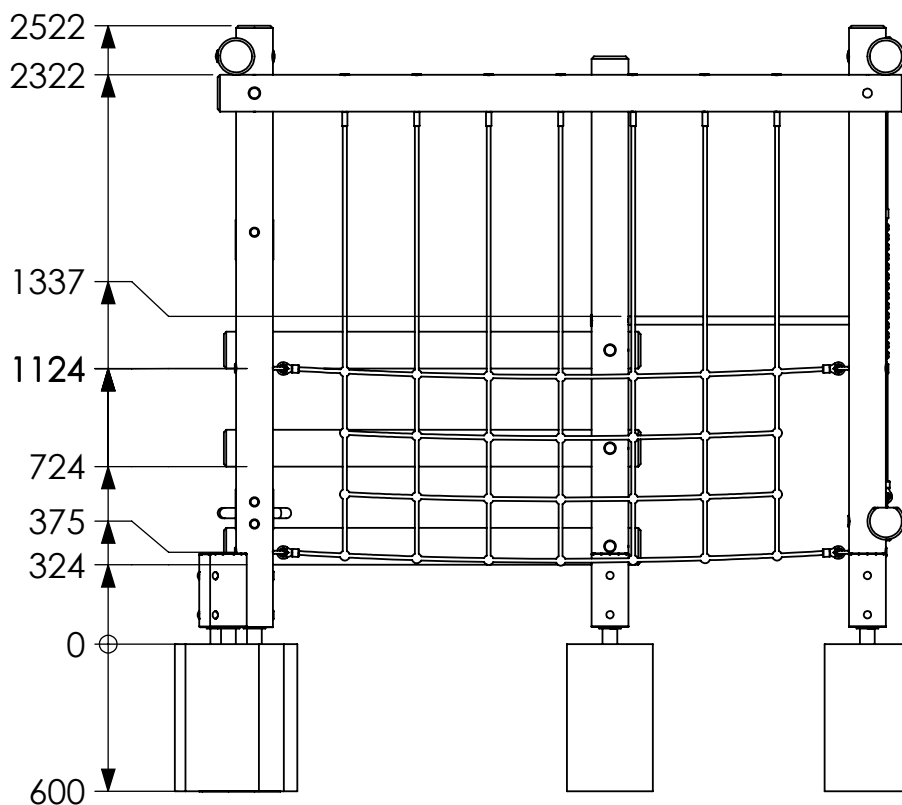
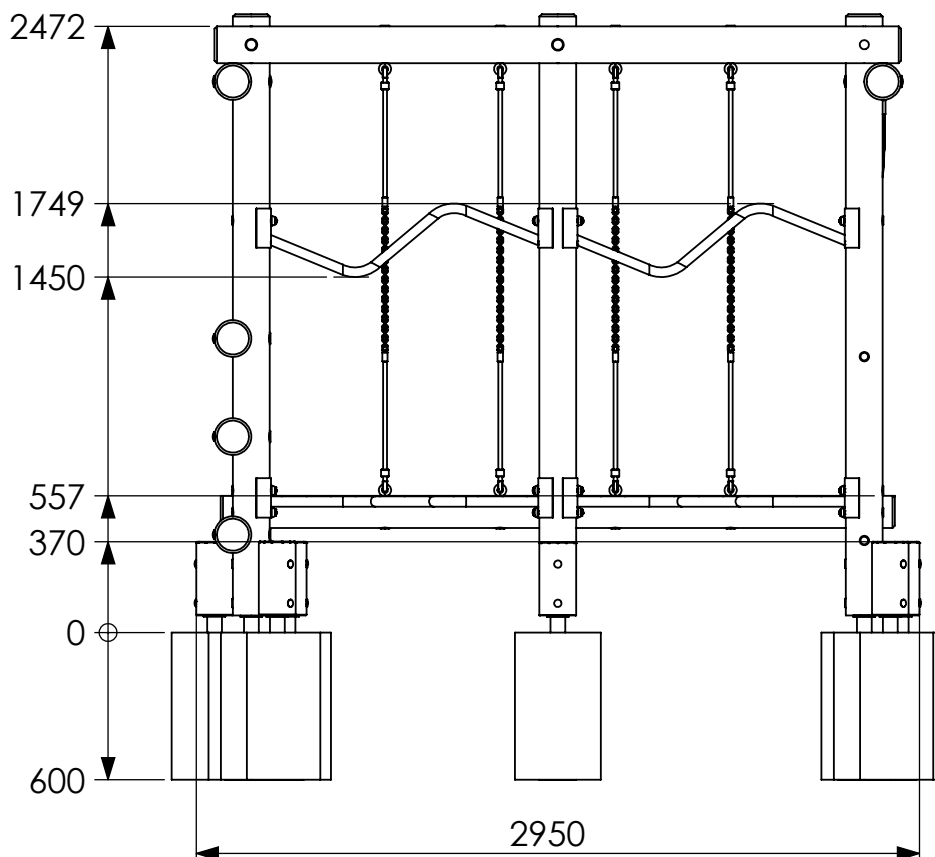


Crest Playframe

Excavation Detail



**Dig all groundworks
600mm deep.**



This equipment for play areas is manufactured following the codes & practice outlined in the British and European standards and in so doing meets the requirements of BSEN 1176 (general safety and test methods).