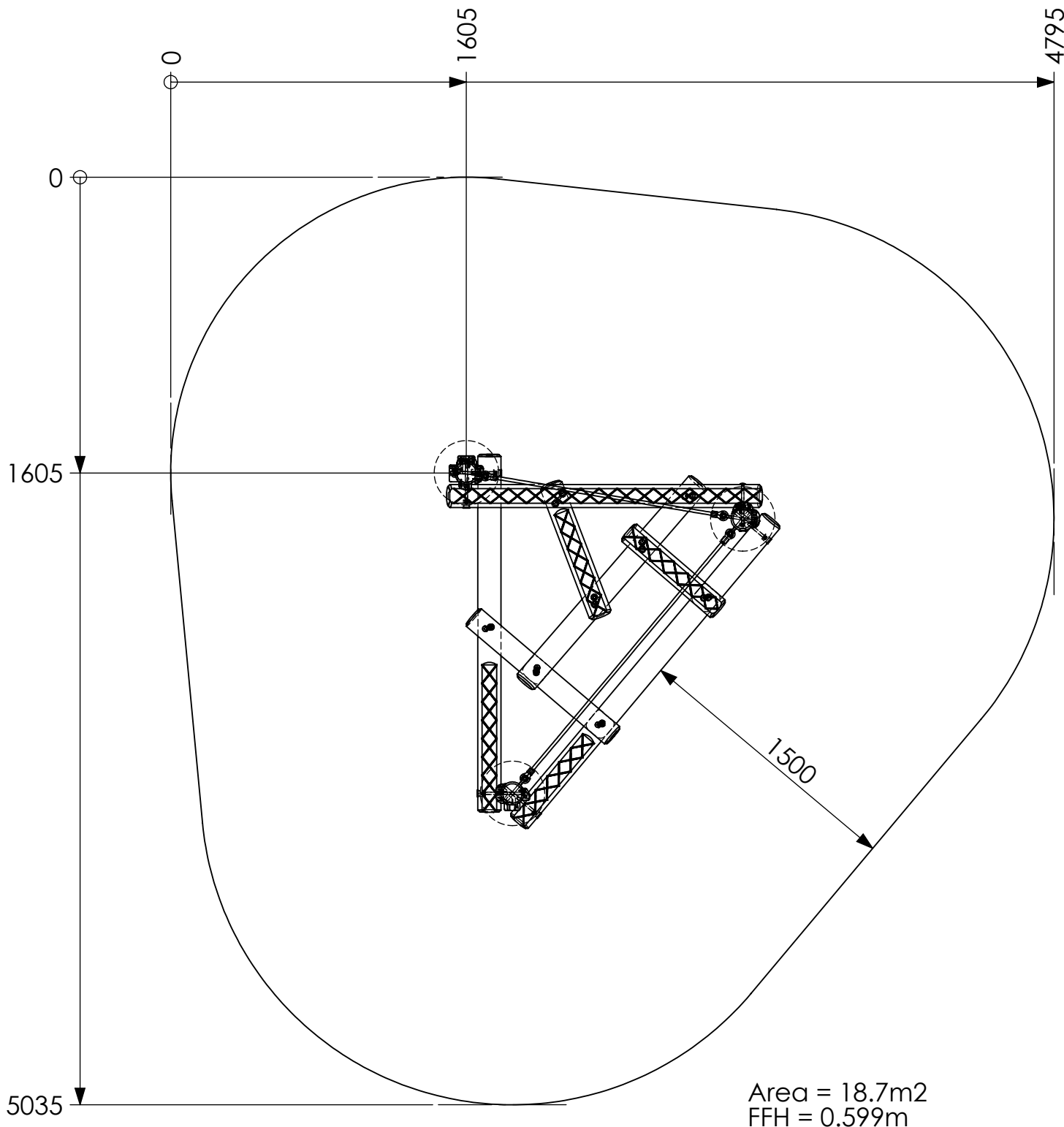


# Clamber Stack Piccolo with Ropes

## Surfacing Detail

As the FFH is less than 600mm no safety surface is required. The below plan gives area dimensions for allowing 1.5m of space around the unit.



This equipment for play areas is manufactured following the codes & practice outlined in the British and European standards and in so doing meets the requirements of BSEN 1176 (general safety and test methods).