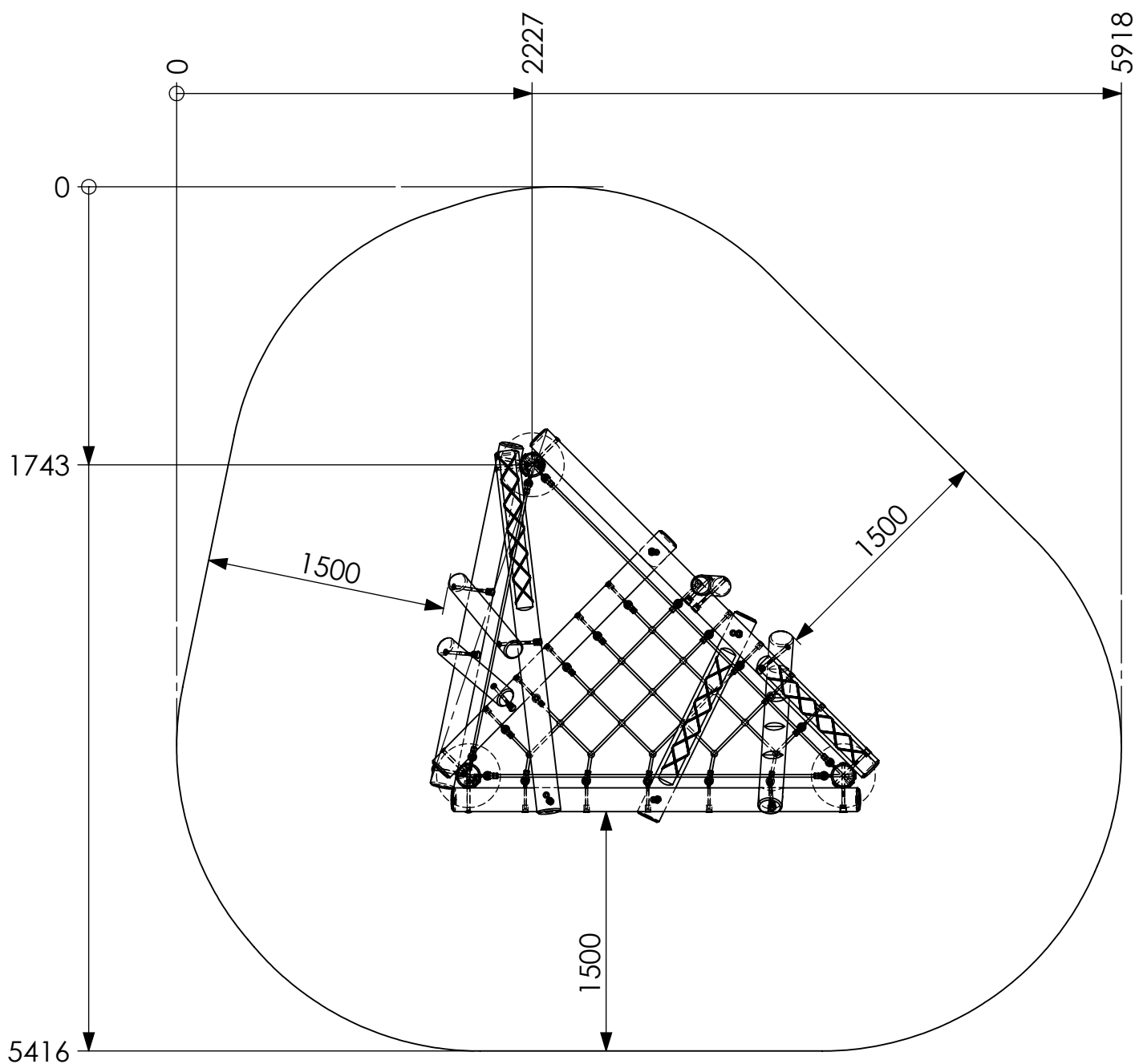


# Clamber Stack 1

## Surfacing Detail



**Free Fall Height: 1.5m**

**Safety Surface Area: 24.9m<sup>2</sup>**

This equipment for play areas is manufactured following the codes & practice outlined in the British and European standards and in so doing meets the requirements of BSEN 1176 (general safety and test methods).