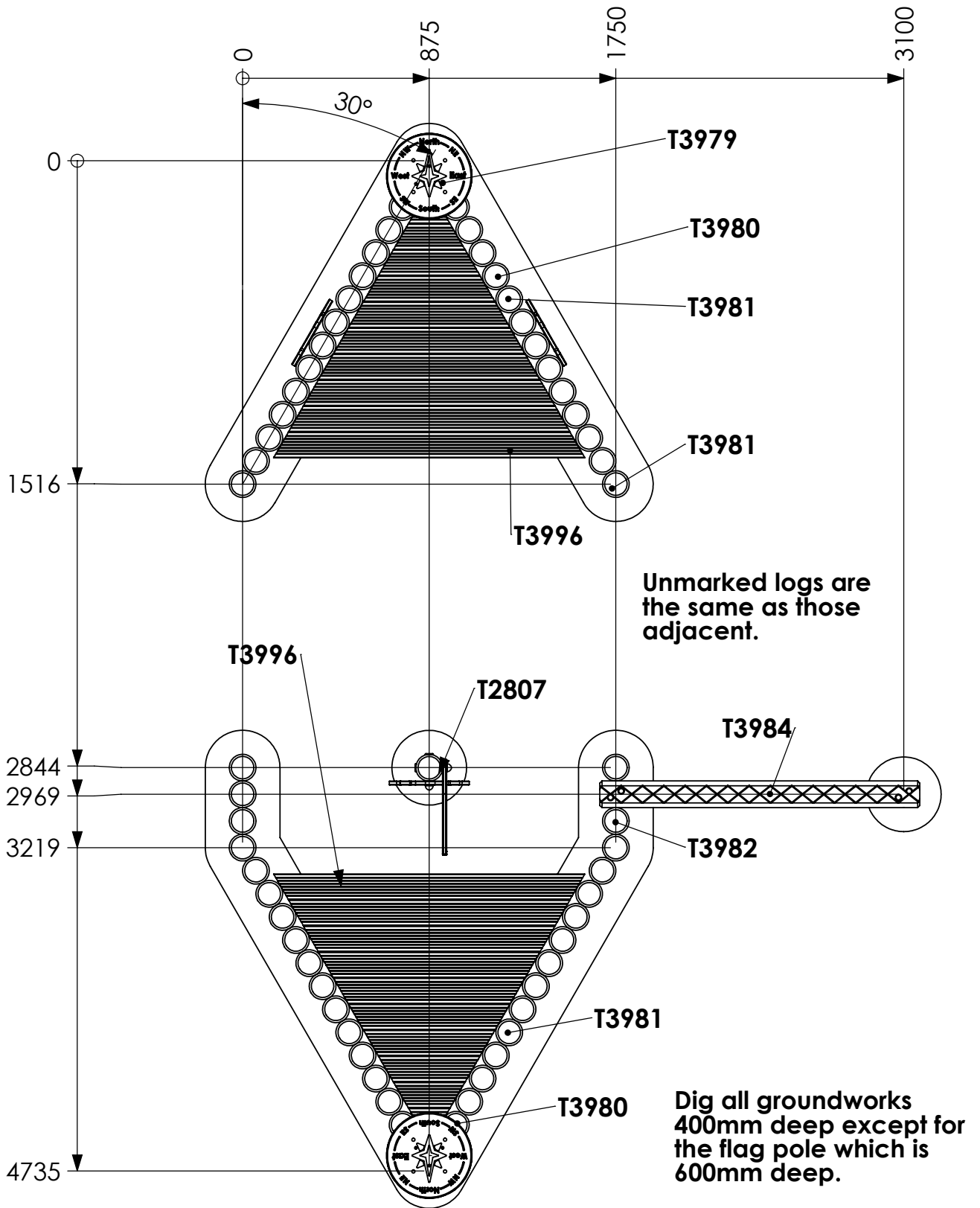


# Captains Boat

## Excavation Detail



**No surfacing required  
as FFH is less than 600mm.**

This equipment for play areas is manufactured following the codes & practice outlined in the British and European standards and in so doing meets the requirements of BSEN 1176 (general safety and test methods).