

SANITISATION
POINT



CABRAL

a hand sanitisation station for crowded
places both indoors and outdoors.



CABRAL

Sanitisation Point CABRAL is a hand sanitisation station for crowded places both indoors and outdoors.

Providing adequate hand sanitiser for busy public and private places such as hotels, retail stores, healthcare centres, parks, gyms, can be difficult due to overcrowding and environmental conditions.

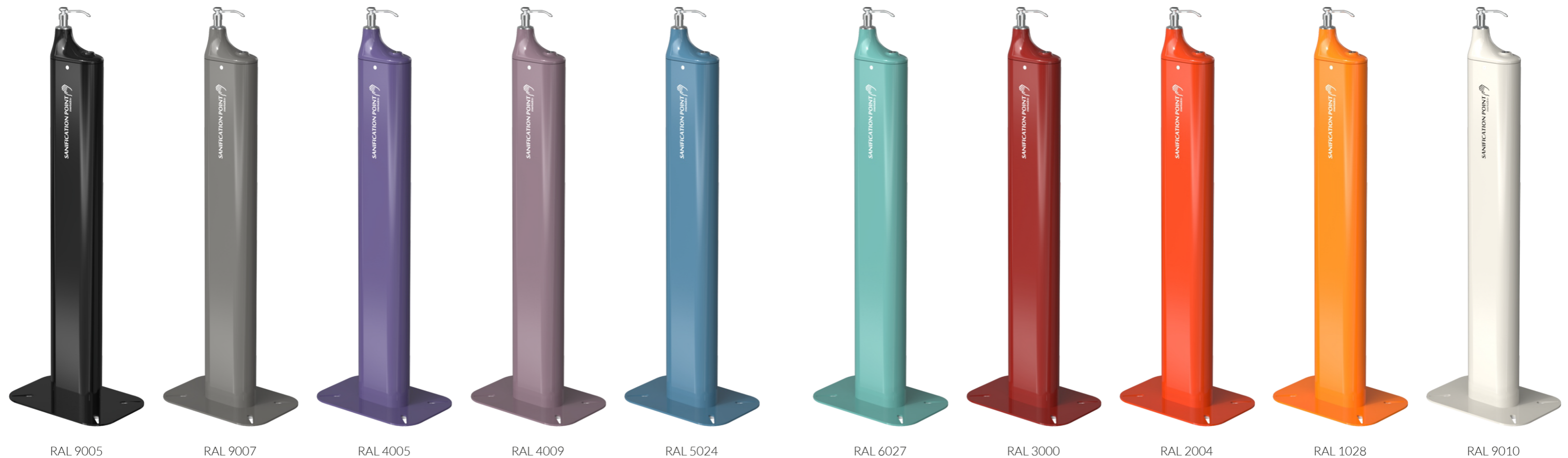
For this purpose, CABRAL has been created: available in two versions, one for indoors and one for outdoors. Thanks to its unique design, it can be installed in every context, providing an essential sanitiser facility.

Available in 10 standard colours with white or black "Sanitisation Point" pad printing, placed only on one side. It is possible to customise the other lateral side with stickers upon request.

CABRAL is equipped with a base plate: it can either be simply positioned on the floor or, if securing and stability is needed, the pre-drilled holes on the base allow fixing through dowels. An accessory for implantation on soft soils, such as sand, is available.

In case of outdoor installation with strong and prolonged sun exposure, it is recommended to place CABRAL sheltered from direct sunlight.

It comes with an aluminium internal profile and insulating material, to offer further protection to the sanitiser.



RAL 9005

RAL 9007

RAL 4005

RAL 4009

RAL 5024

RAL 6027

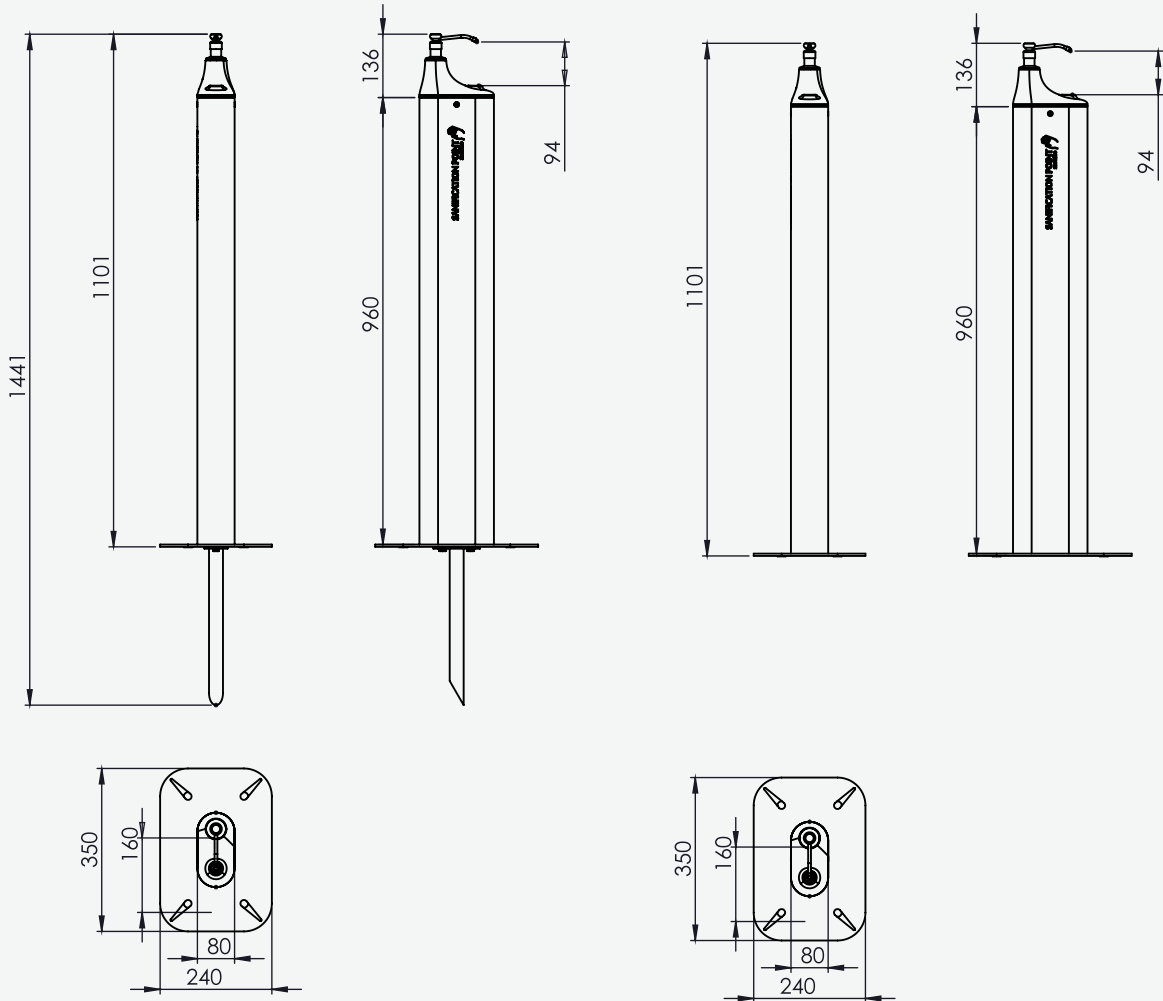
RAL 3000

RAL 2004

RAL 1028

RAL 9010

*Dispensing spout with chromed finish.
Dimensions: H=1135, L=350x250 mm Capacity: 10 lt



Measurements are purely indicative. we reserve the right to make any changes deemed useful for CABRAL qualitative improvement.

For more details

visit www.amvplaygrounds.co.uk

or contact us at

sales@amvplaygrounds.co.uk

