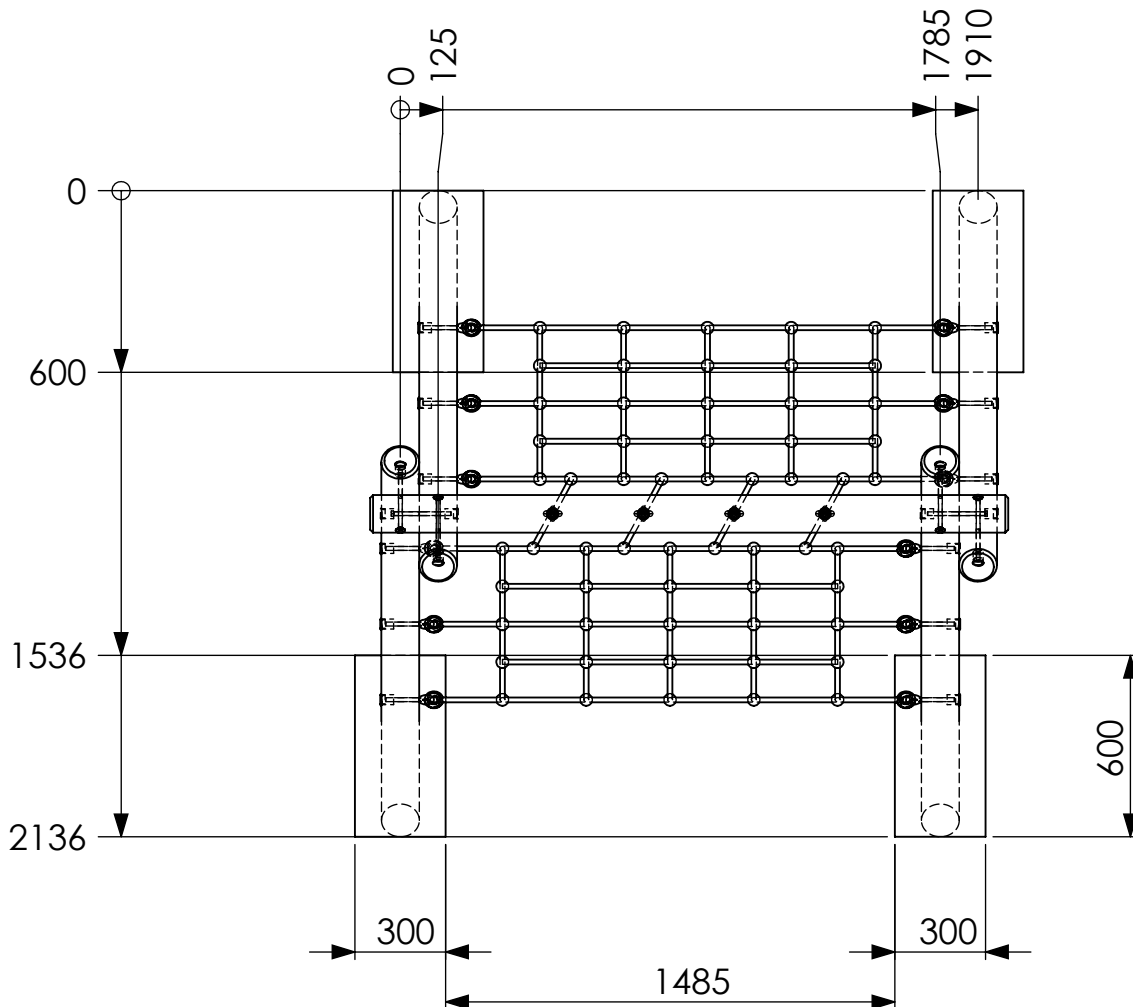
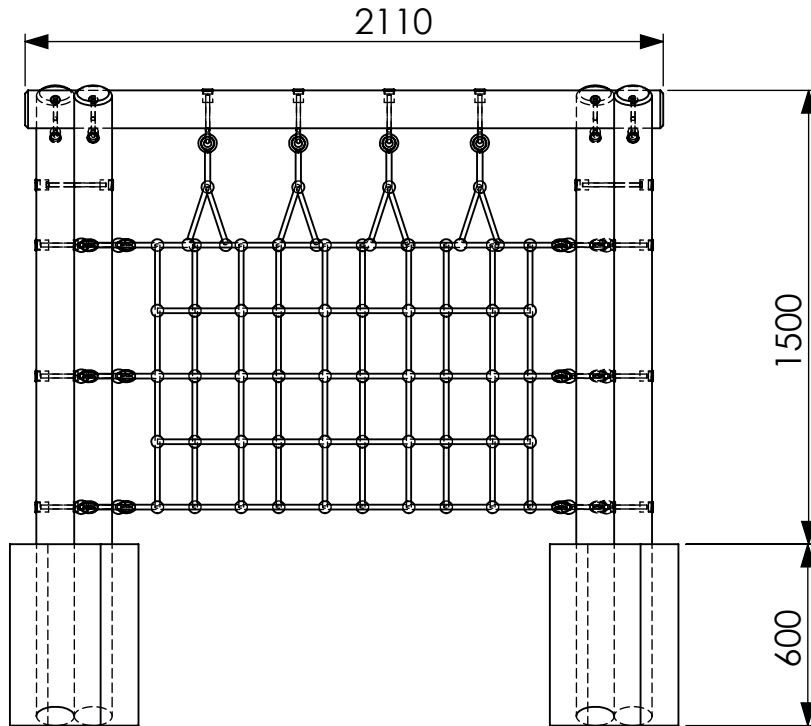


A-Frame Low with Nets.

Excavation Detail

Dig all groundworks
600mm deep.



This equipment for play areas is manufactured following the codes & practice outlined in the British and European standards and in so doing meets the requirements of BSEN 1176 (general safety and test methods).