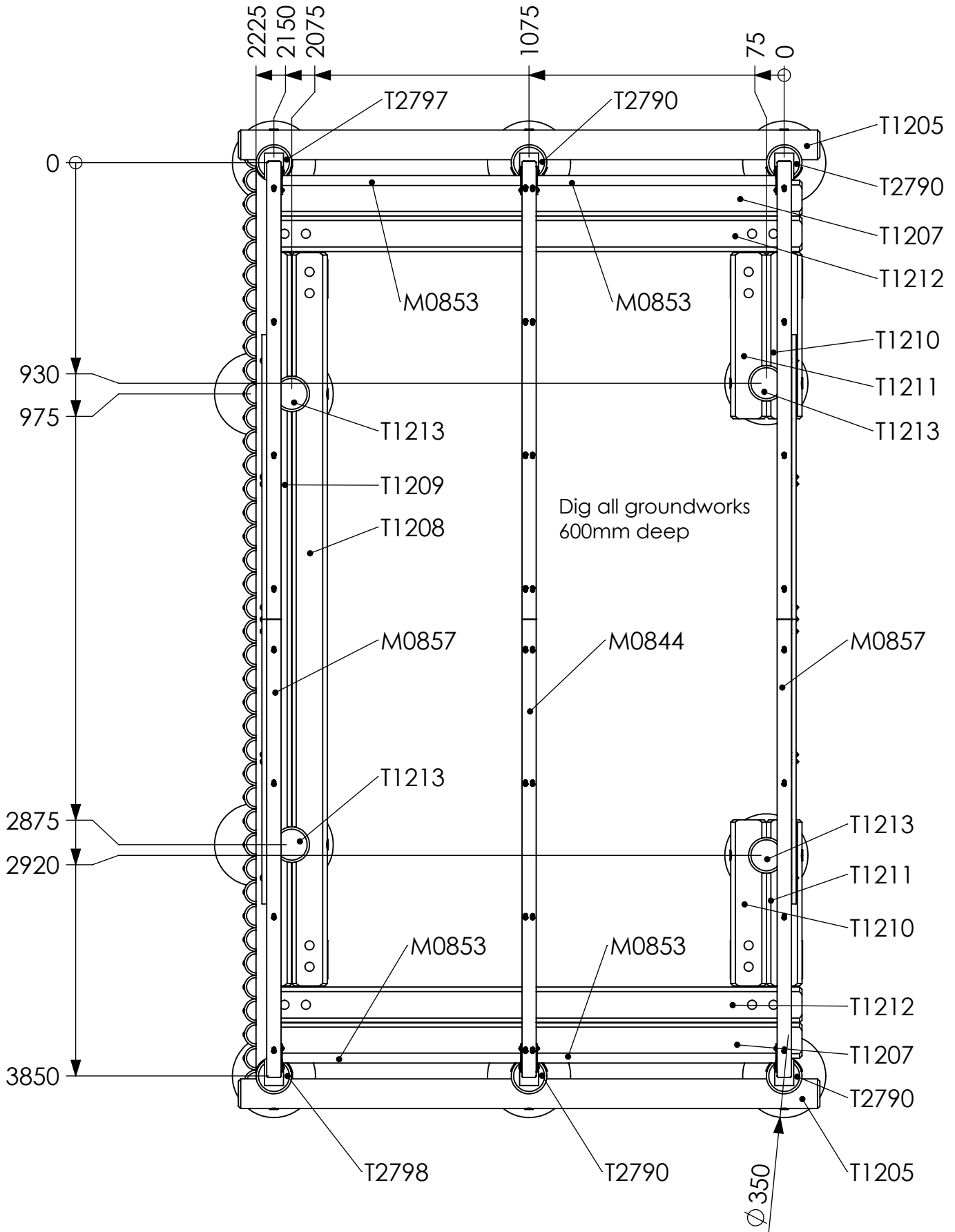


4.0 x 2.4m Shelter with H-C Sides

Excavation Detail



This equipment for play areas is manufactured following the codes & practice outlined in the British and European standards and in so doing meets the requirements of BSEN 1176 (general safety and test methods).