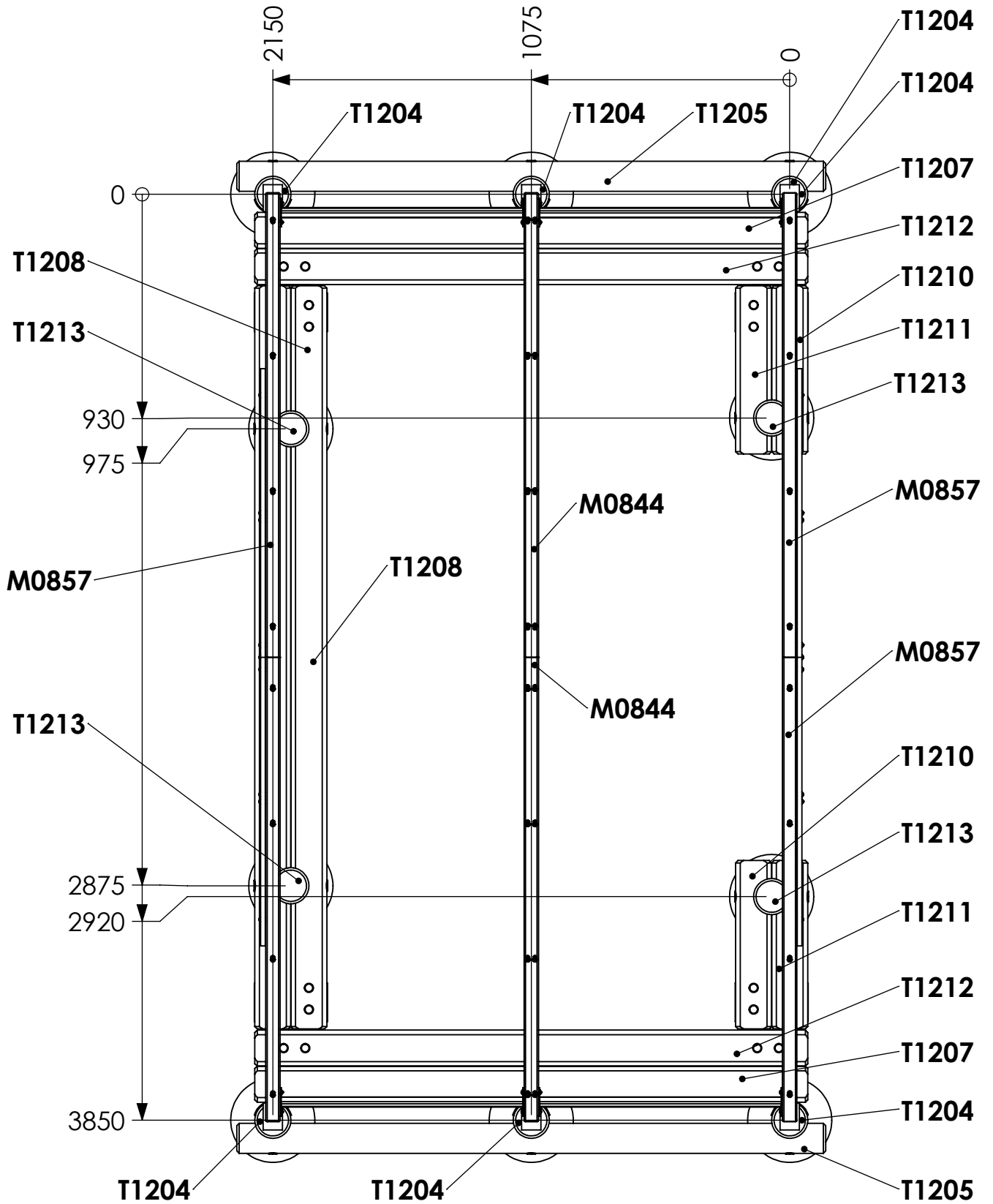


4.0 x 2.4m Shelter

Excavation Detail



Dig all groundworks 600mm deep.

This equipment for play areas is manufactured following the codes & practice outlined in the British and European standards and in so doing meets the requirements of BSEN 1176 (general safety and test methods).